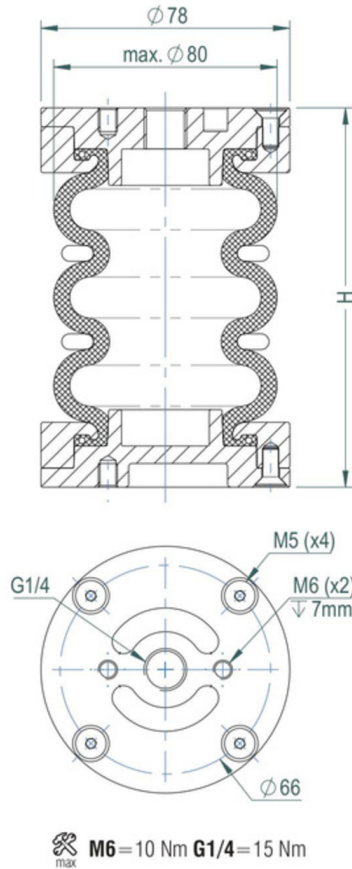


D SERIES
Dismountable Design

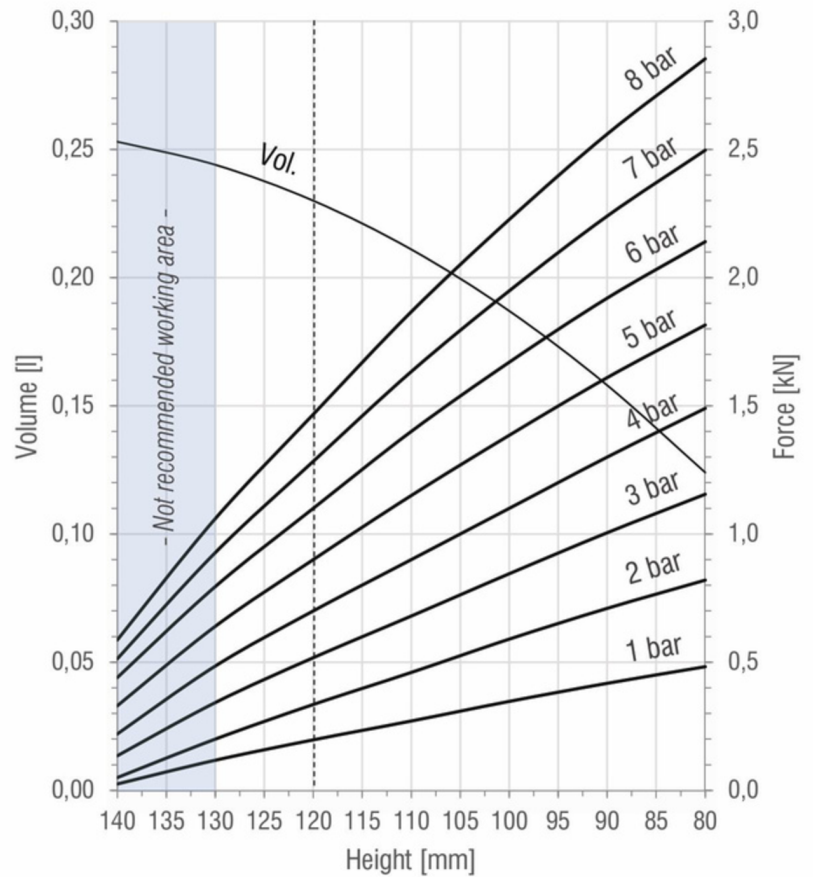
TVB-B22

TRIPLE
CONVOLUTION

DRAWING



FORCE-HEIGHT CHART



TECHNICAL DATA

PRODUCT CHARACTERISTICS

Static diameter [mm]	70
Max. diameter [mm]	80
Required space diameter [mm]	95
Min. height [mm]	80
Static height [mm]	110
Design height [mm]	120
Max. usable height [mm]	130
Max. stroke [mm]	50
Force to compress to H_{min} at 0 bar [N]	260
Weight [kg]	0,59

REFERENCES

2x3_B	Rubber bellows only
2x3_D	With aluminium end closures

Additional designs on request.

DYNAMIC CHARACTERISTICS FOR USE AS ISOLATOR

Pressure [bar]	3	4	5	6	7	Vol. [l]
Load [kN]	0,52	0,70	0,90	1,10	1,28	0,23
Spring rate [N/mm]	24	30	37	44	51	
Natural frequency [Hz]	3,43	3,29	3,22	3,17	3,16	
Isolation rate at 10 Hz	86,6%	87,9%	88,5%	88,8%	88,9%	

Values at recommended design height H: 120 mm -----

STATIC CHARACTERISTICS FOR USE AS ACTUATOR

Pressure [bar]	3	4	5	6	7	Vol. [l]	
Height H [mm]	80	1,16	1,49	1,82	2,14	2,50	0,12
	90	1,01	1,30	1,61	1,92	2,24	0,16
	100	0,85	1,10	1,39	1,67	1,95	0,19
	110	0,68	0,90	1,15	1,40	1,63	0,21
	120	0,52	0,70	0,90	1,10	1,28	0,23
	130	0,34	0,49	0,64	0,80	0,93	0,24

Force values [kN]

All Volume [l] values at 7 bar

! Special guides are required when used as isolators due to lateral instability.