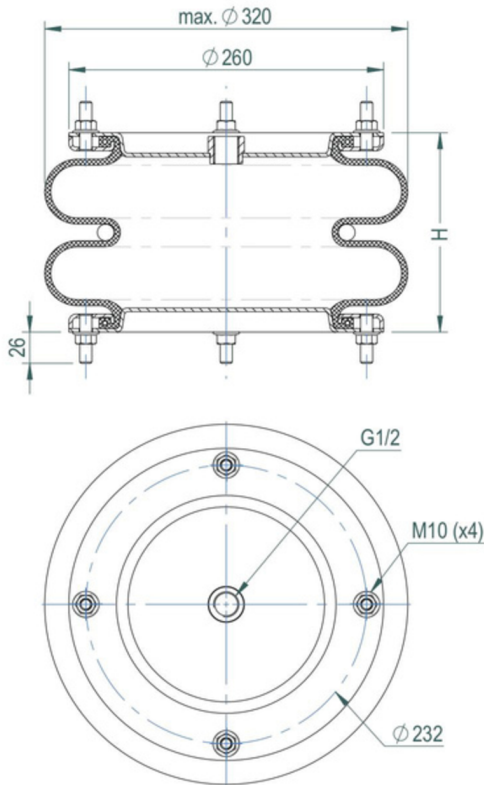


D SERIES
Dismountable Design

TVB-B16

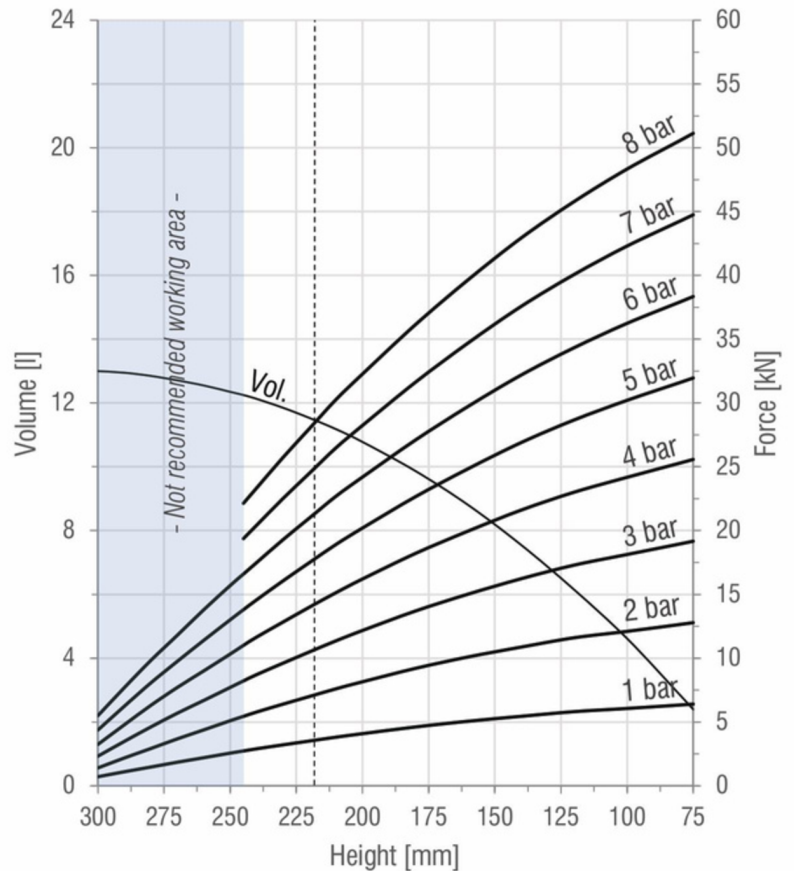
DOUBLE
CONVOLUTION

DRAWING



M10 = 25 Nm **G1/2 = 25 Nm**

FORCE-HEIGHT CHART



TECHNICAL DATA

PRODUCT CHARACTERISTICS

Static diameter [mm]	305
Max. diameter [mm]	320
Required space diameter [mm]	340
Min. height [mm]	75
Static height [mm]	160
Design height [mm]	220
Max. usable height [mm]	245
Max. stroke [mm]	170
Force to compress to H_{min} at 0 bar [N]	120
Weight [kg]	6,9

REFERENCES

12x2_B	Rubber bellow only
12x2_D	With steel end closures

Designs available with stainless steel and high temperature rubber compounds. Additional designs on request.

DYNAMIC CHARACTERISTICS FOR USE AS ISOLATOR

Pressure [bar]	3	4	5	6	7	Vol. [l]
Load [kN]	10,5	14,0	17,5	21,0	24,5	11,5
Spring rate [N/mm]	144	186	228	269	312	
Natural frequency [Hz]	1,85	1,82	1,80	1,79	1,78	
Isolation rate at 10 Hz	96,4%	96,6%	96,6%	96,7%	96,7%	

Values at recommended design height H: 220 mm - - - -

STATIC CHARACTERISTICS FOR USE AS ACTUATOR

Pressure [bar]	3	4	5	6	7	Vol. [l]	
Height H [mm]	80	19,0	25,3	31,6	37,9	44,2	2,9
	100	18,1	24,2	30,2	36,3	42,3	4,6
	120	17,3	23,0	28,7	34,3	40,1	6,2
	140	16,2	21,6	26,9	32,2	37,6	7,6
	160	15,0	20,0	24,9	29,8	34,7	8,8
	180	13,7	18,2	22,7	27,1	31,6	9,9
	200	12,2	16,2	20,2	24,2	28,2	10,8
	220	10,5	14,0	17,5	21,0	24,5	11,5
	240	8,7	11,7	14,6	17,5	20,4	12,1

Force values [kN]

All Volume [l] values at 7 bar