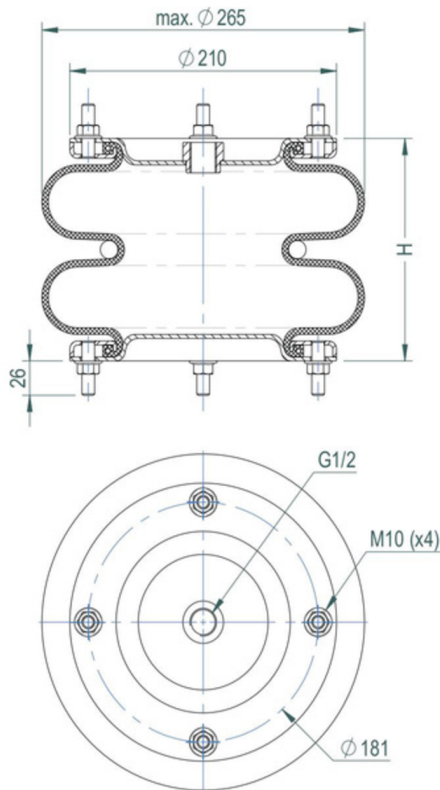


D SERIES  
Dismountable Design

## TVB-B15

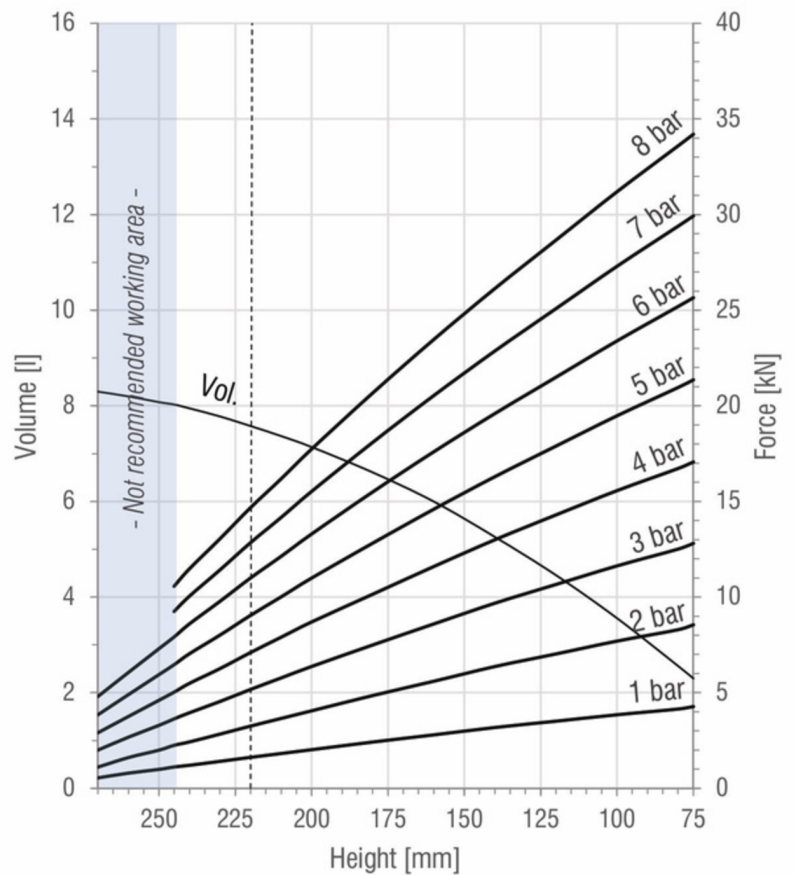
DOUBLE  
CONVOLUTION

### DRAWING



**M10** = 25 Nm   **G1/2** = 25 Nm

### FORCE-HEIGHT CHART



### TECHNICAL DATA

#### PRODUCT CHARACTERISTICS

Static diameter [mm]	252
Max. diameter [mm]	265
Required space diameter [mm]	295
Min. height [mm]	75
Static height [mm]	150
Design height [mm]	220
Max. usable height [mm]	245
Max. stroke [mm]	170
Force to compress to $H_{min}$ at 0 bar [N]	150
Weight [kg]	4,88

#### REFERENCES

10x2_B	Rubber bellow only
10x2_D	With steel end closures

Designs available with stainless steel and high temperature rubber compounds. Additional designs on request.

#### DYNAMIC CHARACTERISTICS FOR USE AS ISOLATOR

Pressure [bar]	3	4	5	6	7	Vol. [l]
Load [kN]	5,2	7,1	9,1	11,0	12,8	7,6
Spring rate [N/mm]	87	115	141	166	192	
Natural frequency [Hz]	2,06	2,02	1,97	1,94	1,93	
Isolation rate at 10 Hz	95,6%	95,8%	96,0%	96,1%	96,1%	

Values at recommended design height H: 220 mm -----

#### STATIC CHARACTERISTICS FOR USE AS ACTUATOR

Height H [mm]	Pressure [bar]	3	4	5	6	7	Vol. [l]
	80	12,5	16,7	21,0	25,2	29,4	2,6
100	11,6	15,6	19,5	23,4	27,3	3,6	
120	10,7	14,3	17,9	21,5	25,1	4,5	
140	9,7	13,0	16,3	19,6	22,9	5,3	
160	8,6	11,6	14,6	17,6	20,5	6,0	
180	7,5	10,2	12,8	15,5	18,1	6,6	
200	6,4	8,7	11,0	13,3	15,5	7,1	
220	5,2	7,1	9,1	11,0	12,8	7,6	
240	4,0	5,5	7,0	8,6	10,0	8,0	

Force values [kN]

All Volume [l] values at 7 bar