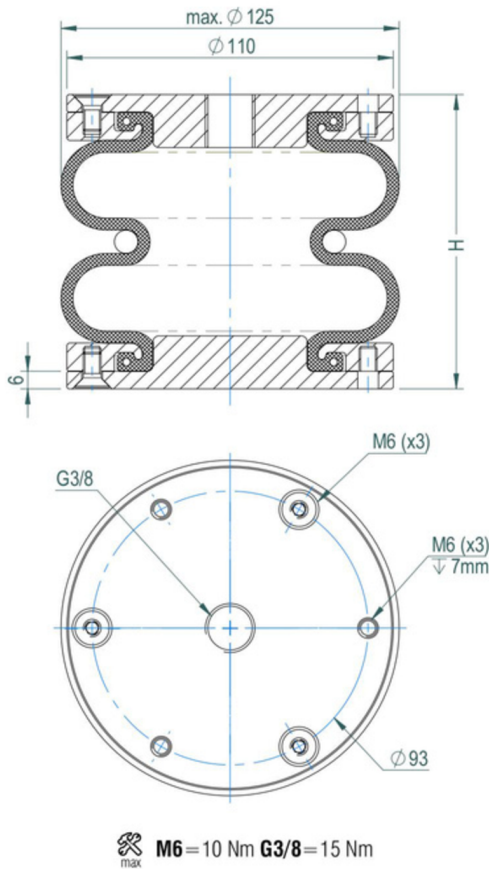


D SERIES
Dismountable Design

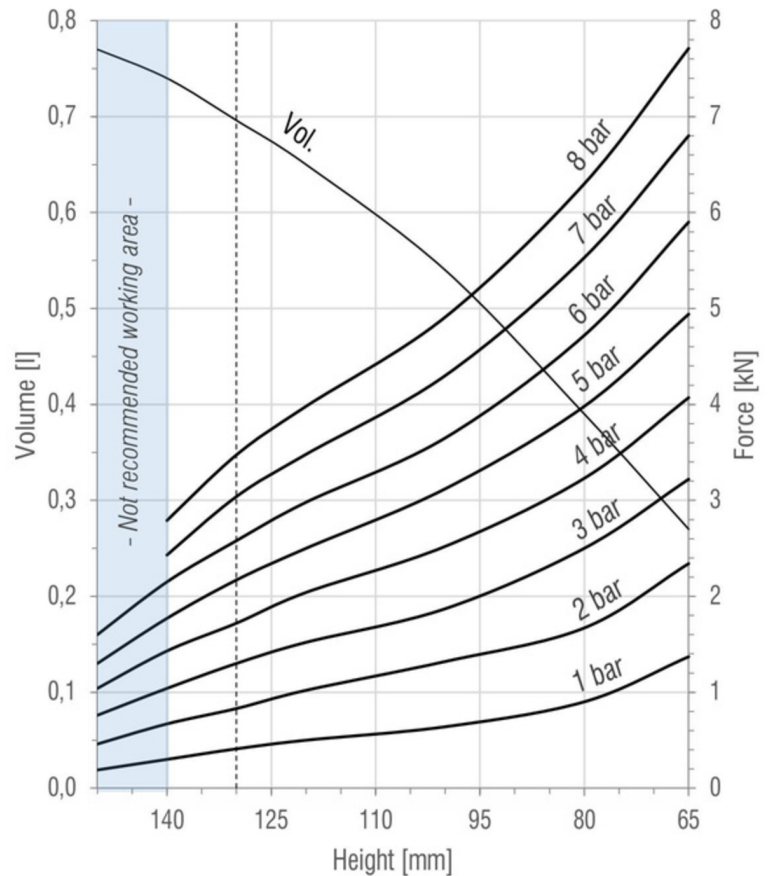
TVB-B11

DOUBLE
CONVOLUTION

DRAWING



FORCE-HEIGHT CHART



TECHNICAL DATA

PRODUCT CHARACTERISTICS

Static diameter [mm]	114
Max. diameter [mm]	125
Required space diameter [mm]	140
Min. height [mm]	65
Static height [mm]	100
Design height [mm]	130
Max. usable height [mm]	140
Max. stroke [mm]	75
Force to compress to H_{min} at 0 bar [N]	140
Weight [kg]	0,95

REFERENCES

4x2_B	Rubber bellows only
4x2_D	With aluminium end closures

Designs available with stainless steel and high temperature rubber compounds. Additional designs on request.

DYNAMIC CHARACTERISTICS FOR USE AS ISOLATOR

Pressure [bar]	3	4	5	6	7	Vol. [l]
Load [kN]	1,30	1,72	2,17	2,58	3,04	0,70
Spring rate [N/mm]	42	50	58	69	77	
Natural frequency [Hz]	2,84	2,70	2,59	2,58	2,52	
Isolation rate at 10 Hz	91,3%	92,1%	92,8%	92,9%	93,2%	

Values at recommended design height H : 130 mm - - - -

STATIC CHARACTERISTICS FOR USE AS ACTUATOR

Pressure [bar]		3	4	5	6	7	Vol. [l]
Height H [mm]	65	3,22	4,07	4,94	5,86	6,78	0,27
	80	2,60	3,30	4,10	4,79	5,62	0,39
	100	1,92	2,52	3,12	3,68	4,36	0,54
	120	1,43	1,90	2,38	2,80	3,32	0,65
	140	1,00	1,38	1,73	2,05	2,41	0,74

Force values [kN]

All Volume [l] values at 7 bar