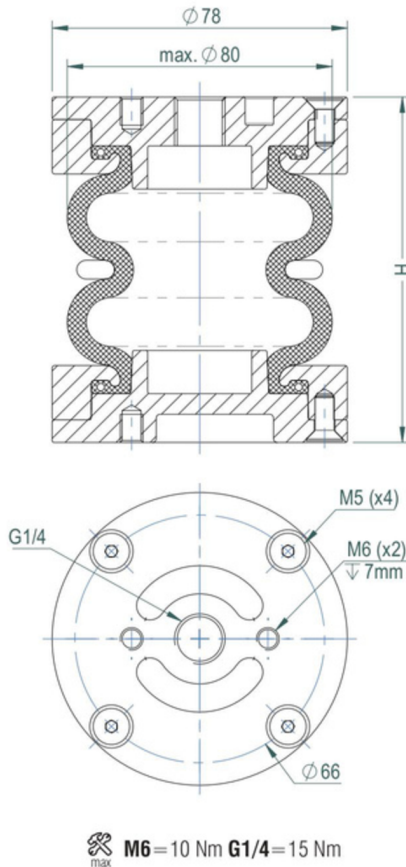


D SERIES  
Dismountable Design

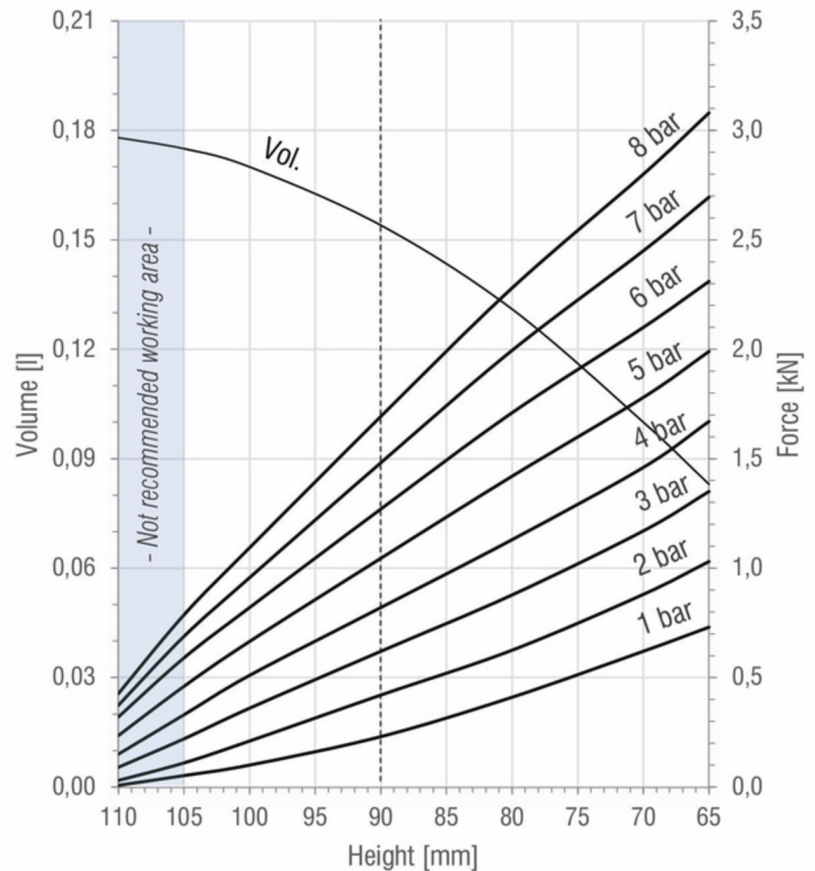
## TVB-B10

DOUBLE  
CONVOLUTION

### DRAWING



### FORCE-HEIGHT CHART



### TECHNICAL DATA

#### PRODUCT CHARACTERISTICS

Static diameter [mm]	70
Max. diameter [mm]	80
Required space diameter [mm]	95
Min. height [mm]	65
Static height [mm]	90
Design height [mm]	90
Max. usable height [mm]	105
Max. stroke [mm]	40
Force to compress to $H_{min}$ at 0 bar [N]	180
Weight [kg]	0,54

#### REFERENCES

2x2_B	Rubber bellow only
2x2_D	With aluminium end closures

Additional designs on request.

#### DYNAMIC CHARACTERISTICS FOR USE AS ISOLATOR

Pressure [bar]	3	4	5	6	7	Vol. [l]
Load [kN]	0,62	0,82	1,05	1,27	1,48	0,15
Spring rate [N/mm]	39	47	57	67	78	
Natural frequency [Hz]	3,94	3,77	3,69	3,63	3,62	
Isolation rate at 10 Hz	81,6%	83,4%	84,3%	84,8%	84,9%	

Values at recommended design height H: 90 mm - - - -

#### STATIC CHARACTERISTICS FOR USE AS ACTUATOR

Pressure [bar]		3	4	5	6	7	Vol. [l]
Height H [mm]	70	1,17	1,46	1,78	2,10	2,45	0,10
	80	0,88	1,13	1,42	1,71	2,00	0,13
	90	0,62	0,82	1,05	1,27	1,48	0,15
	100	0,36	0,51	0,67	0,82	0,96	0,17

Force values [kN]

All Volume [l] values at 7 bar