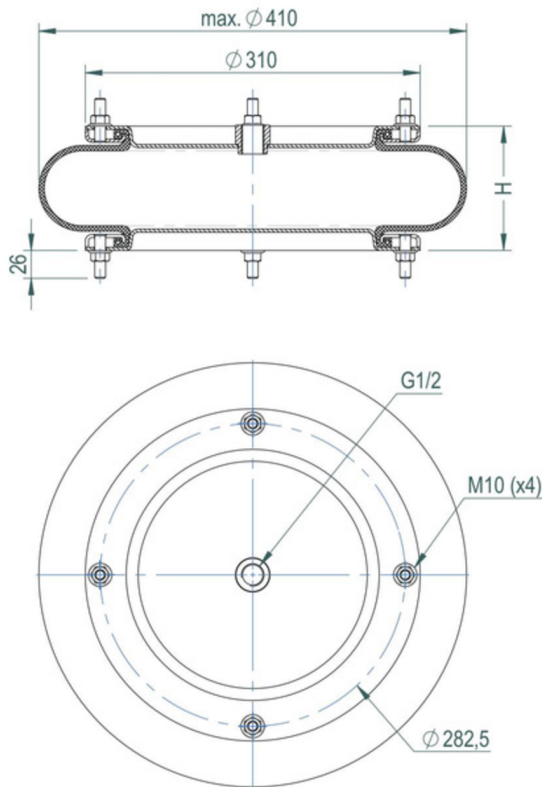


D SERIES  
Dismountable Design

## TVB-B09

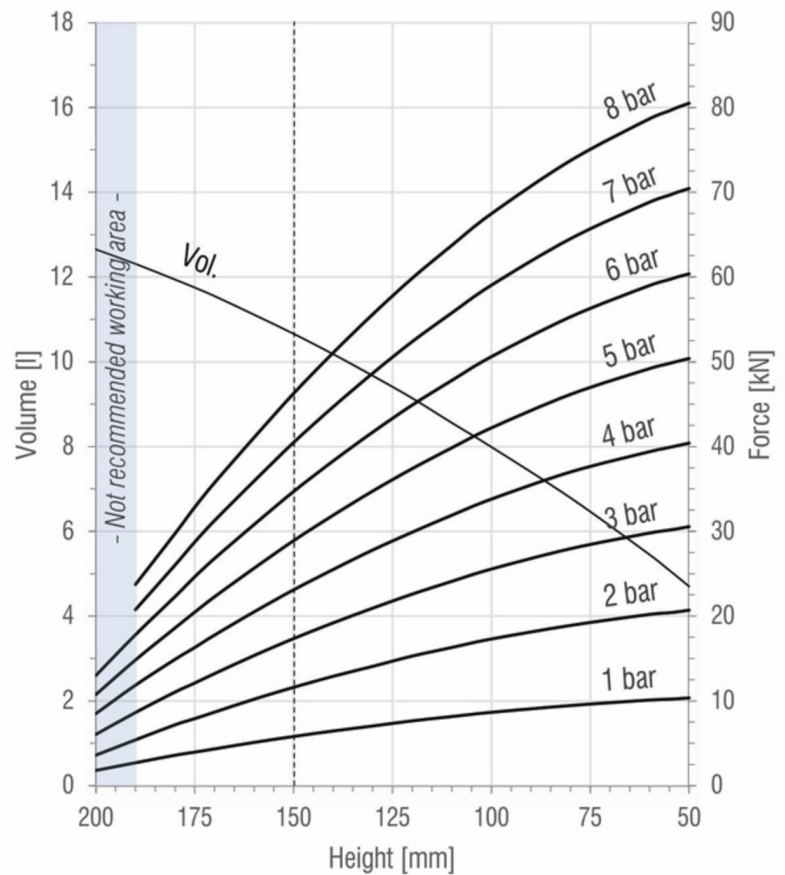
SINGLE  
CONVOLUTION

### DRAWING



**M10** = 25 Nm   **G1/2** = 25 Nm

### FORCE-HEIGHT CHART



### TECHNICAL DATA

#### PRODUCT CHARACTERISTICS

Static diameter [mm]	400
Max. diameter [mm]	410
Required space diameter [mm]	435
Min. height [mm]	50
Static height [mm]	110
Design height [mm]	150
Max. usable height [mm]	190
Max. stroke [mm]	140
Force to compress to $H_{min}$ at 0 bar [N]	50
Weight [kg]	7,54

#### REFERENCES

16x1_B	Rubber bellow only
16x1_D	With steel end closures

Designs available with stainless steel and high temperature rubber compounds. Additional designs on request.

#### DYNAMIC CHARACTERISTICS FOR USE AS ISOLATOR

Pressure [bar]	3	4	5	6	7	Vol. [l]
Load [kN]	17,4	23,1	28,9	34,7	40,5	10,7
Spring rate [N/mm]	334	426	524	622	719	
Natural frequency [Hz]	2,19	2,15	2,13	2,12	2,11	
Isolation rate at 10 Hz	94,9%	95,2%	95,3%	95,3%	95,4%	

Values at recommended design height  $H$ : 150 mm - - - -

#### STATIC CHARACTERISTICS FOR USE AS ACTUATOR

Pressure [bar]	3	4	5	6	7	Vol. [l]	
Height $H$ [mm]	60	29,8	39,4	49,2	59,0	68,8	5,5
	80	28,0	37,0	46,2	55,3	64,5	6,8
	100	25,6	33,8	42,2	50,6	59,0	8,0
	120	22,6	29,9	37,4	44,9	52,4	9,1
	140	19,2	25,5	31,9	38,3	44,7	10,2
	160	15,4	20,5	25,7	30,8	35,9	11,1
180	11,0	14,9	18,6	22,3	26,0	11,9	

Force values [kN]

All Volume [l] values at 7 bar