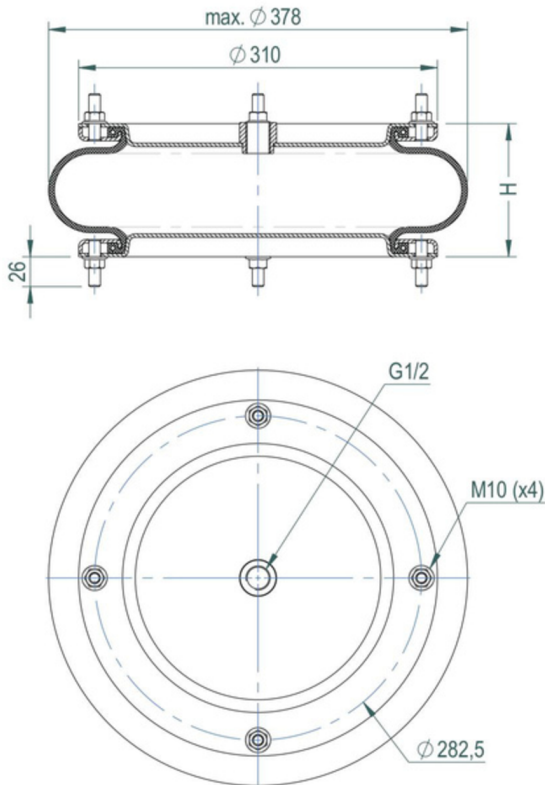


D SERIES
Dismountable Design

TVB-B08

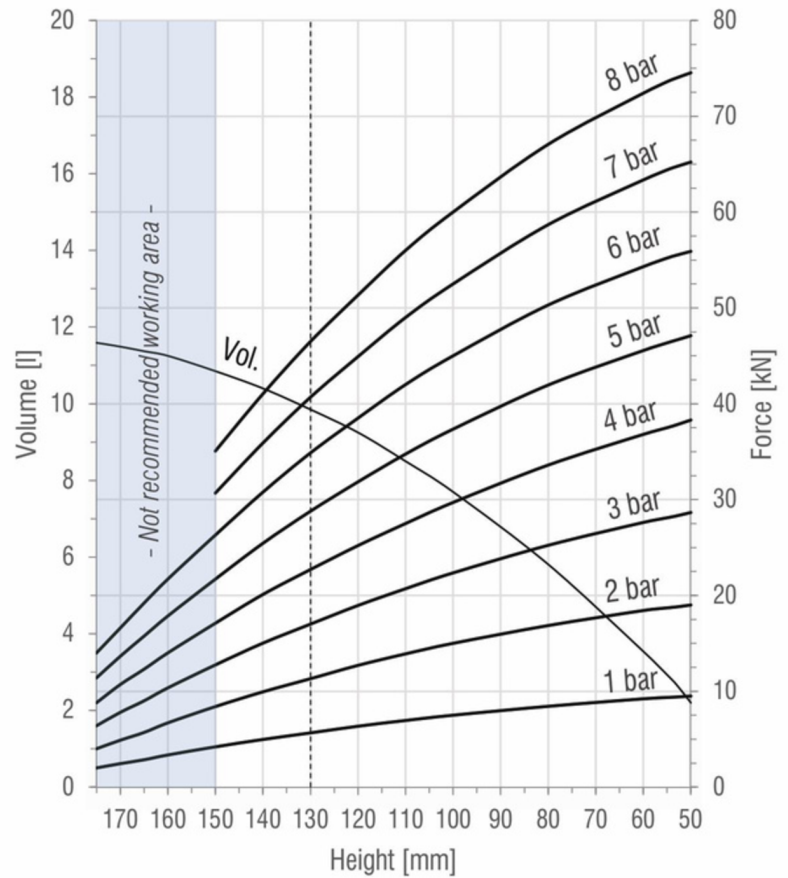
SINGLE
CONVOLUTION

DRAWING



M10 = 25 Nm G1/2 = 25 Nm

FORCE-HEIGHT CHART



TECHNICAL DATA

PRODUCT CHARACTERISTICS

Static diameter [mm]	365
Max. diameter [mm]	380
Required space diameter [mm]	405
Min. height [mm]	50
Static height [mm]	110
Design height [mm]	130
Max. usable height [mm]	150
Max. stroke [mm]	100
Force to compress to H_{min} at 0 bar [N]	90
Weight [kg]	7,36

REFERENCES

14x1_B	Rubber bellow only
14x1_D	With steel end closures

Designs available with stainless steel and high temperature rubber compounds. Additional designs on request.

DYNAMIC CHARACTERISTICS FOR USE AS ISOLATOR

Pressure [bar]	3	4	5	6	7	Vol. [l]
Load [kN]	17,0	22,7	28,8	34,9	40,7	9,9
Spring rate [N/mm]	384	489	605	720	832	
Natural frequency [Hz]	2,38	2,32	2,29	2,27	2,26	
Isolation rate at 10 Hz	94,0%	94,3%	94,5%	94,6%	94,6%	

Values at recommended design height H : 130 mm - - - -

STATIC CHARACTERISTICS FOR USE AS ACTUATOR

Pressure [bar]		3	4	5	6	7	Vol. [l]
Height H [mm]	60	27,6	36,8	45,6	54,3	63,4	3,5
	80	25,2	33,6	42,0	50,3	58,7	5,8
	100	22,4	29,7	37,4	45,0	52,5	7,7
	120	19,0	25,2	31,9	38,5	44,9	9,3
	140	15,0	20,1	25,4	30,8	35,9	10,4
150	12,7	17,1	21,7	26,3	30,7	10,9	

Force values [kN]

All Volume [l] values at 7 bar