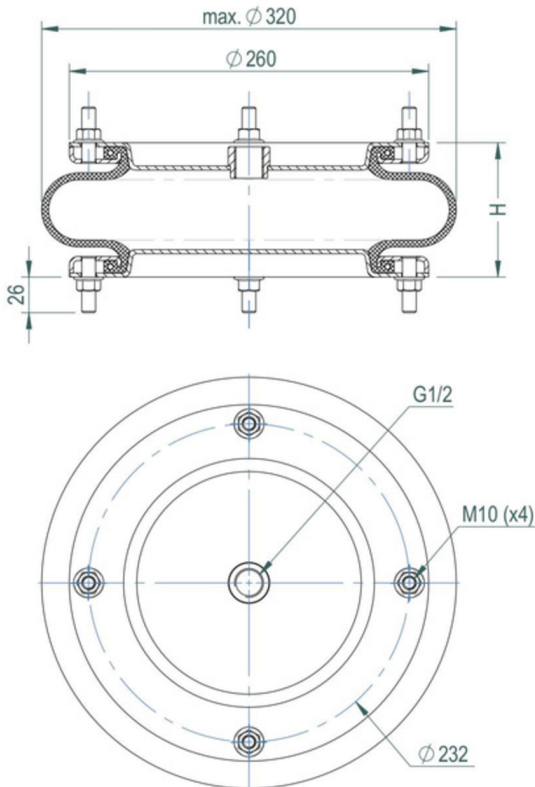


D SERIES
Dismountable Design

TVB-B07

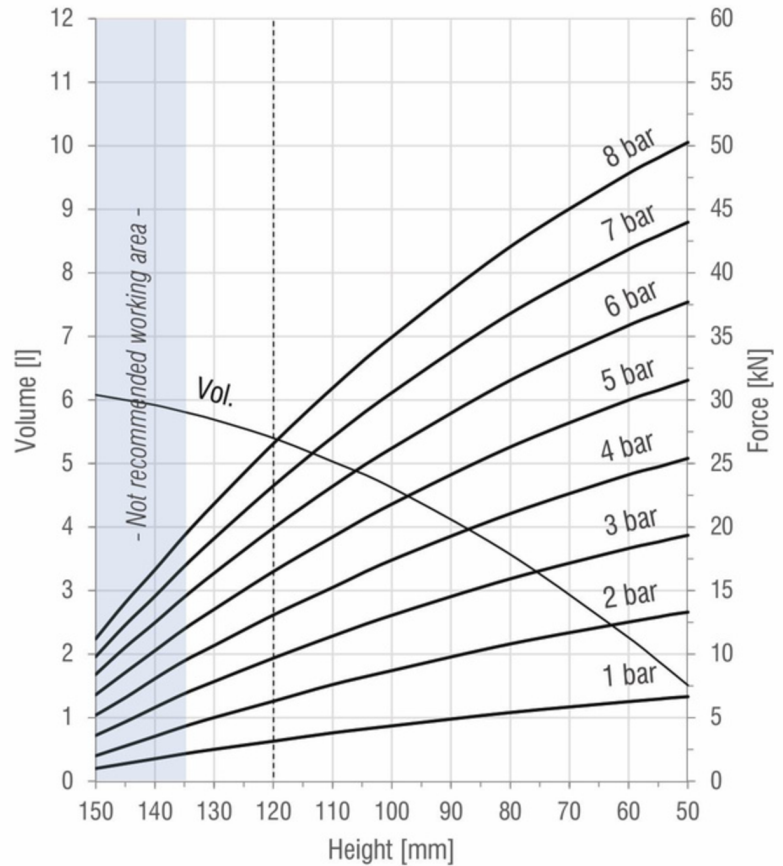
SINGLE
CONVOLUTION

DRAWING



M10 = 25 Nm **G1/2** = 25 Nm

FORCE-HEIGHT CHART



TECHNICAL DATA

PRODUCT CHARACTERISTICS

Static diameter [mm]	305
Max. diameter [mm]	320
Required space diameter [mm]	340
Min. height [mm]	50
Static height [mm]	95
Design height [mm]	120
Max. usable height [mm]	135
Max. stroke [mm]	85
Force to compress to H_{min} at 0 bar [N]	120
Weight [kg]	5,4

REFERENCES

12x1_B	Rubber bellow only
12x1_D	With steel end closures

Designs available with stainless steel and high temperature rubber compounds. Additional designs on request.

DYNAMIC CHARACTERISTICS FOR USE AS ISOLATOR

Pressure [bar]	3	4	5	6	7	Vol. [l]
Load [kN]	9,7	13,1	16,5	19,9	23,2	5,4
Spring rate [N/mm]	294	373	460	548	634	
Natural frequency [Hz]	2,76	2,67	2,64	2,62	2,61	
Isolation rate at 10 Hz	91,8%	92,3%	92,5%	92,6%	92,7%	

Values at recommended design height H : 120 mm -----

STATIC CHARACTERISTICS FOR USE AS ACTUATOR

Pressure [bar]	3	4	5	6	7	Vol. [l]	
Height H [mm]	50	19,4	25,4	31,6	37,7	44,0	1,5
	60	18,3	24,1	30,0	35,9	41,8	2,3
	80	15,9	21,1	26,3	31,5	36,8	3,6
	100	13,1	17,4	21,8	26,2	30,6	4,6
	110	11,4	15,2	19,2	23,2	27,1	5,0
	120	9,7	13,1	16,5	19,9	23,2	5,4
	130	7,8	10,7	13,5	16,4	19,1	5,7

Force values [kN]

All Volume [l] values at 7 bar