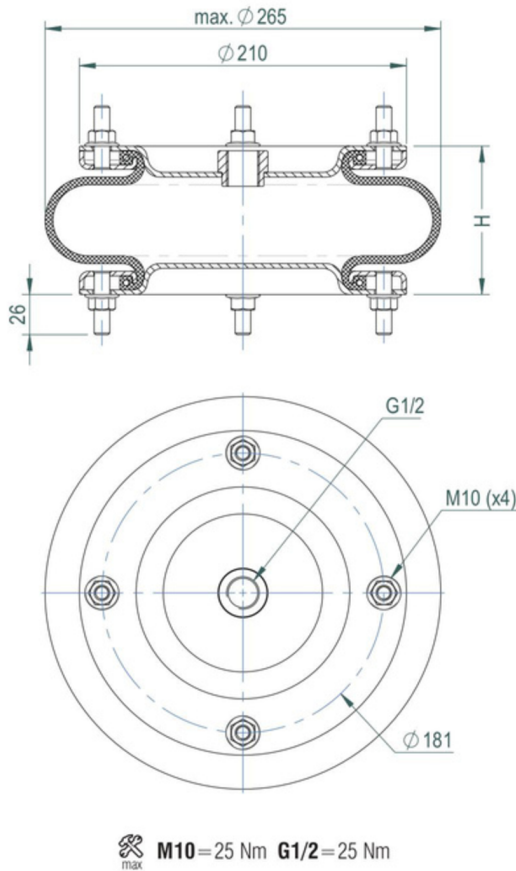


D SERIES
Dismountable Design

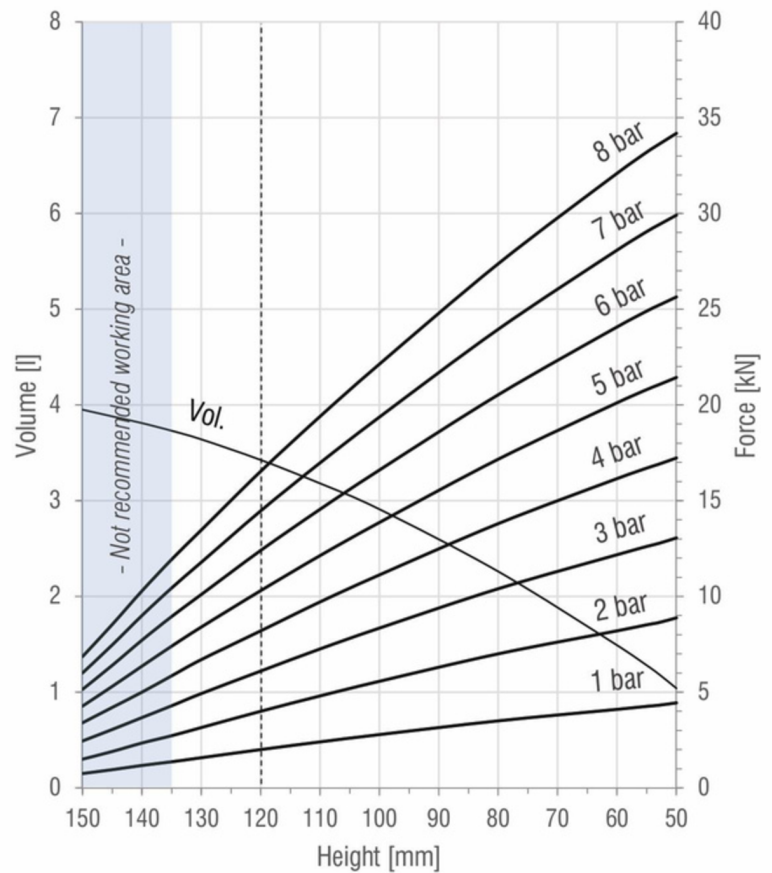
TVB-B06

SINGLE
CONVOLUTION

DRAWING



FORCE-HEIGHT CHART



TECHNICAL DATA

PRODUCT CHARACTERISTICS

Static diameter [mm]	252
Max. diameter [mm]	265
Required space diameter [mm]	295
Min. height [mm]	50
Static height [mm]	90
Design height [mm]	120
Max. usable height [mm]	135
Max. stroke [mm]	85
Force to compress to H_{min} at 0 bar [N]	70
Weight [kg]	3,95

REFERENCES

10x1_B	Rubber bellow only
10x1_D	With steel end closures

Designs available with stainless steel and high temperature rubber compounds. Additional designs on request.

DYNAMIC CHARACTERISTICS FOR USE AS ISOLATOR

Pressure [bar]	3	4	5	6	7	Vol. [l]
Load [kN]	6,1	8,2	10,3	12,4	14,5	3,4
Spring rate [N/mm]	195	250	306	362	419	
Natural frequency [Hz]	2,83	2,76	2,72	2,70	2,69	
Isolation rate at 10 Hz	91,3%	91,7%	92,0%	92,1%	92,2%	

Values at recommended design height H: 120 mm -----

STATIC CHARACTERISTICS FOR USE AS ACTUATOR

Pressure [bar]	3	4	5	6	7	Vol. [l]	
Height H [mm]	50	13,1	17,2	21,4	25,6	29,9	1,0
	60	12,2	16,2	20,1	24,1	28,1	1,5
	80	10,4	13,8	17,2	20,5	24,0	2,3
	100	8,3	11,1	13,9	16,6	19,4	2,9
	110	7,3	9,7	12,1	14,6	17,0	3,2
	120	6,1	8,2	10,3	12,4	14,5	3,4
130	4,9	6,7	8,4	10,1	11,8	3,6	

Force values [kN]

All Volume [l] values at 7 bar