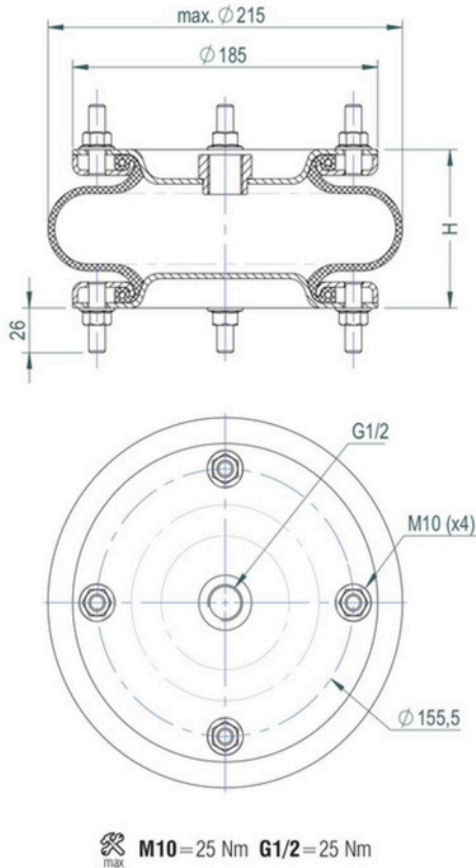


D SERIES
Dismountable Design

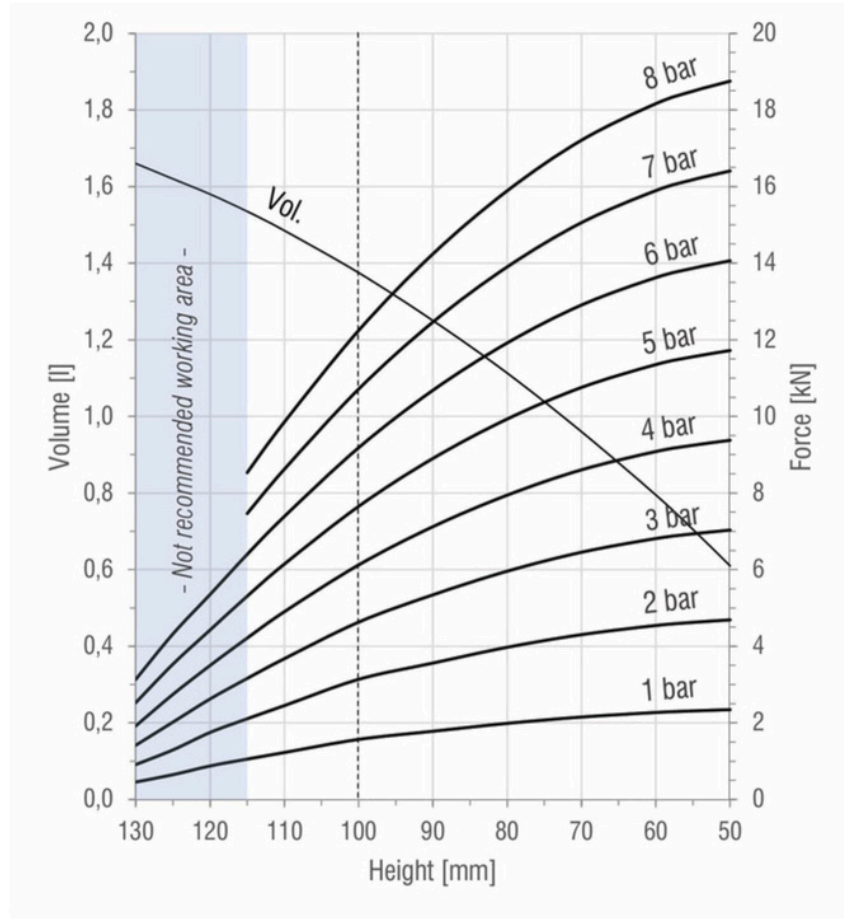
TVB-B05

SINGLE
CONVOLUTION

DRAWING



FORCE-HEIGHT CHART



TECHNICAL DATA

PRODUCT CHARACTERISTICS

Static diameter [mm]	202
Max. diameter [mm]	215
Required space diameter [mm]	230
Min. height [mm]	50
Static height [mm]	85
Design height [mm]	100
Max. usable height [mm]	115
Max. stroke [mm]	65
Force to compress to H_{min} at 0 bar [N]	160
Weight [kg]	3,2

REFERENCES

8x1_B	Rubber bellows only
8x1_D	With steel end closures

Designs available with stainless steel and high temperature rubber compounds. Additional designs on request.

DYNAMIC CHARACTERISTICS FOR USE AS ISOLATOR

Pressure [bar]	3	4	5	6	7	Vol. [l]
Load [kN]	4,6	6,1	7,7	9,2	10,7	1,4
Spring rate [N/mm]	158	205	250	296	342	
Natural frequency [Hz]	2,92	2,89	2,86	2,84	2,83	
Isolation rate at 10 Hz	90,7%	90,9%	91,1%	91,2%	91,3%	

Values at recommended design height H: 100 mm -----

STATIC CHARACTERISTICS FOR USE AS ACTUATOR

Pressure [bar]		3	4	5	6	7	Vol. [l]
Height H [mm]	50	7,0	9,4	11,7	14,1	16,4	0,6
	60	6,8	9,1	11,4	13,6	15,9	0,8
	70	6,5	8,6	10,8	12,9	15,1	1,0
	80	6,0	7,9	9,9	11,9	13,9	1,1
	90	5,3	7,1	8,9	10,7	12,5	1,3
	100	4,6	6,1	7,7	9,2	10,7	1,4
110	3,7	4,9	6,1	7,4	8,6	1,5	

Force values [kN]

All Volume [l] values at 7 bar