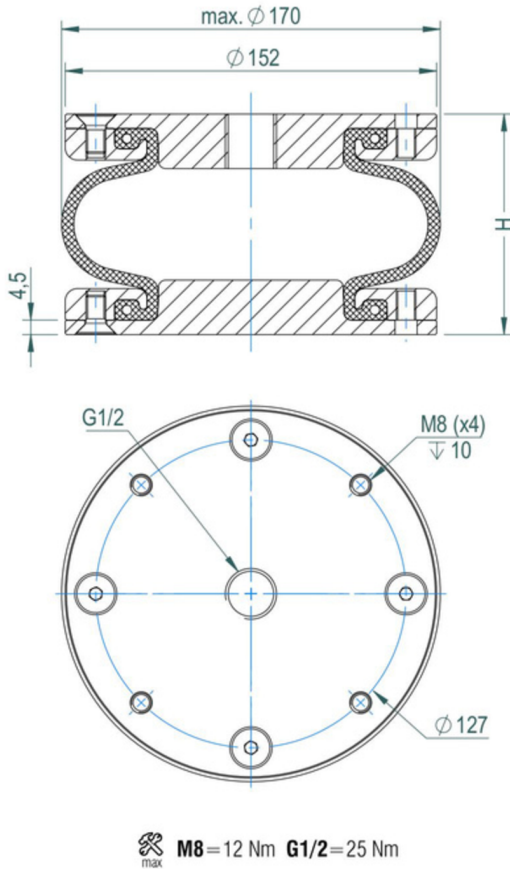


D SERIES
Dismountable Design

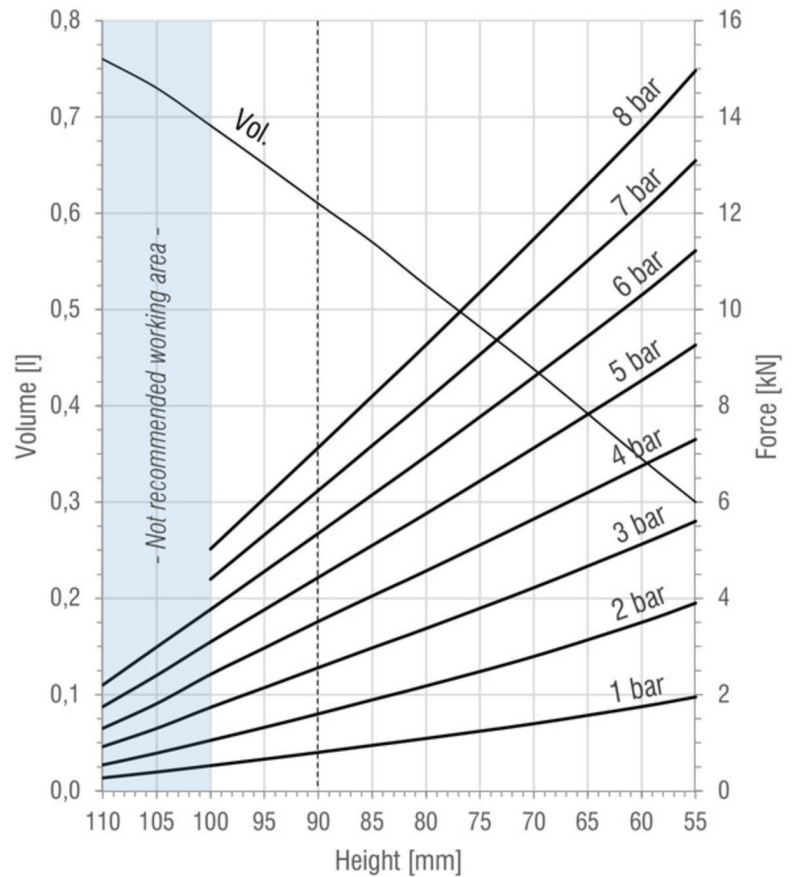
TVB-B03

SINGLE
CONVOLUTION

DRAWING



FORCE-HEIGHT CHART



TECHNICAL DATA

PRODUCT CHARACTERISTICS

Static diameter [mm]	155
Max. diameter [mm]	170
Required space diameter [mm]	185
Min. height [mm]	55
Static height [mm]	85
Design height [mm]	90
Max. usable height [mm]	100
Max. stroke [mm]	45
Force to compress to H_{min} at 0 bar [N]	200
Weight [kg]	1,8

REFERENCES

6x1_B	Rubber bellow only
6x1_D_AL	With aluminium end closures

Designs available with stainless steel and high temperature rubber compounds. Additional designs on request.

DYNAMIC CHARACTERISTICS FOR USE AS ISOLATOR

Pressure [bar]	3	4	5	6	7	Vol. [l]
Load [kN]	2,6	3,5	4,4	5,4	6,2	0,6
Spring rate [N/mm]	152	197	242	287	332	
Natural frequency [Hz]	3,86	3,74	3,70	3,66	3,65	
Isolation rate at 10 Hz	82,5%	83,7%	84,2%	84,5%	84,7%	

Values at recommended design height H: 90 mm - - - -

STATIC CHARACTERISTICS FOR USE AS ACTUATOR

Pressure [bar]		3	4	5	6	7	Vol. [l]
Height H [mm]	60	5,1	6,8	8,5	10,3	12,0	0,3
	70	4,2	5,7	7,1	8,6	10,0	0,4
	80	3,4	4,6	5,8	7,0	8,1	0,5
	90	2,6	3,5	4,4	5,4	6,2	0,6
	100	1,7	2,4	3,1	3,8	4,4	0,7

Force values [kN]

All Volume [l] values at 7 bar