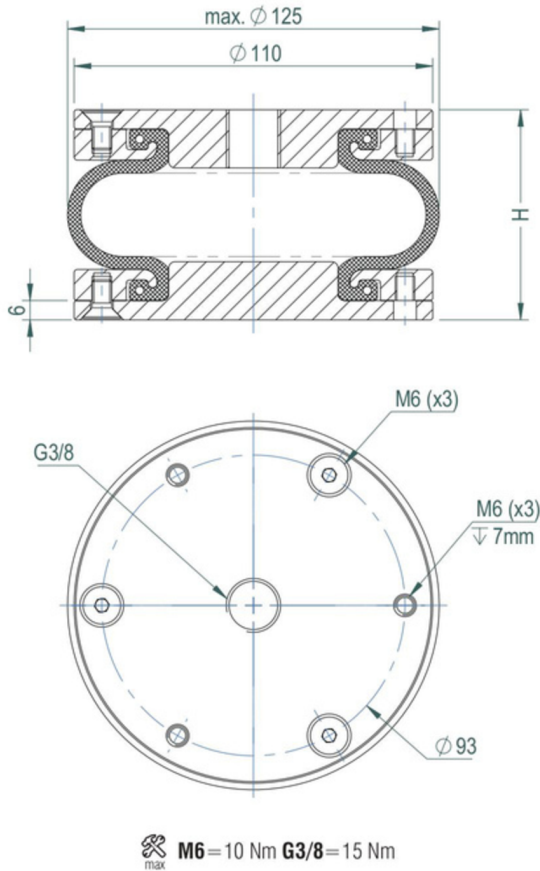


D SERIES
Dismountable Design

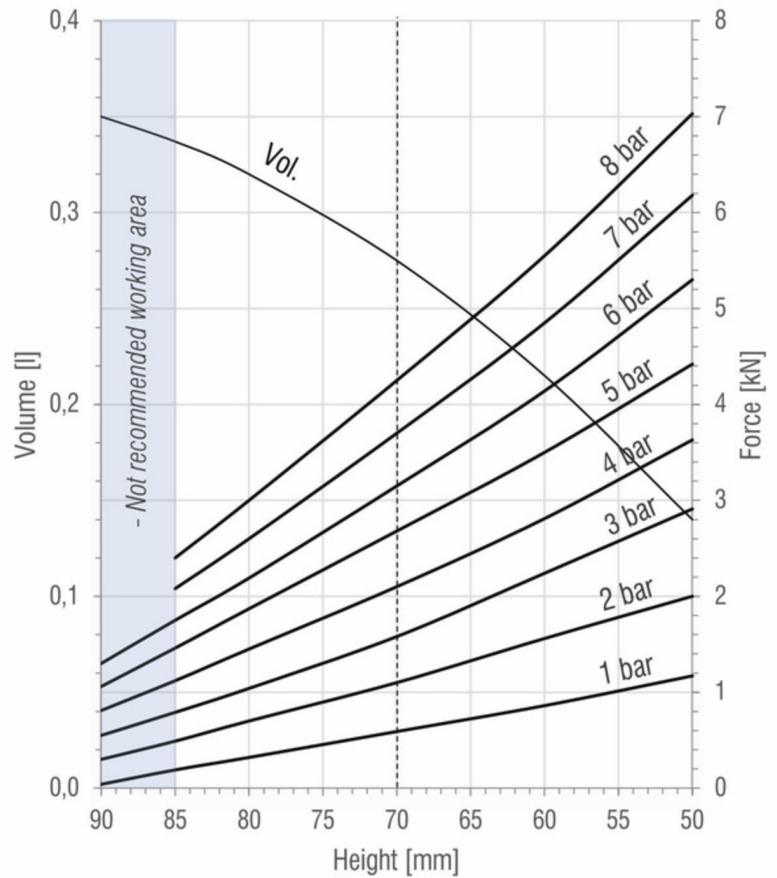
TVB-B02

SINGLE
CONVOLUTION

DRAWING



FORCE-HEIGHT CHART



TECHNICAL DATA

PRODUCT CHARACTERISTICS

Static diameter [mm]	114
Max. diameter [mm]	125
Required space diameter [mm]	140
Min. height [mm]	50
Static height [mm]	65
Design height [mm]	70
Max. usable height [mm]	85
Max. stroke [mm]	35
Force to compress to H_{min} at 0 bar [N]	120
Weight [kg]	0,8

REFERENCES

4x1_B	Rubber bellow only
4x1_D	With aluminium end closures

Designs available with stainless steel and high temperature rubber compounds. Additional designs on request.

DYNAMIC CHARACTERISTICS FOR USE AS ISOLATOR

Pressure [bar]	3	4	5	6	7	Vol. [l]
Load [kN]	1,58	2,10	2,68	3,15	3,70	0,28
Spring rate [N/mm]	115	141	170	195	225	
Natural frequency [Hz]	4,26	4,10	3,98	3,94	3,90	
Isolation rate at 10 Hz	77,8%	79,8%	81,2%	81,7%	82,1%	

Values at recommended design height H : 70 mm - - - -

STATIC CHARACTERISTICS FOR USE AS ACTUATOR

Pressure [bar]	3	4	5	6	7	Vol. [l]	
Height H [mm]	50	2,91	3,63	4,42	5,3	6,18	0,14
	60	2,24	2,81	3,5	4,14	4,85	0,22
	70	1,58	2,1	2,68	3,15	3,7	0,28
	80	1,04	1,45	1,87	2,19	2,6	0,32

Force values [kN]

All Volume [l] values at 7 bar