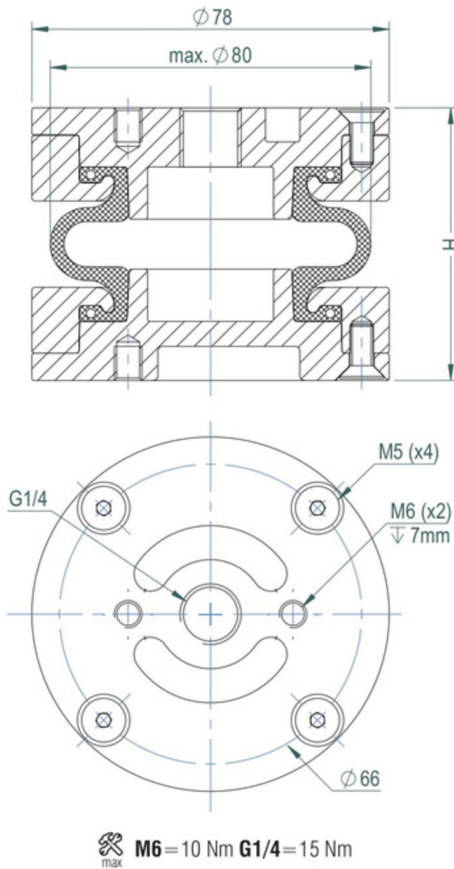


D SERIES
Dismountable Design

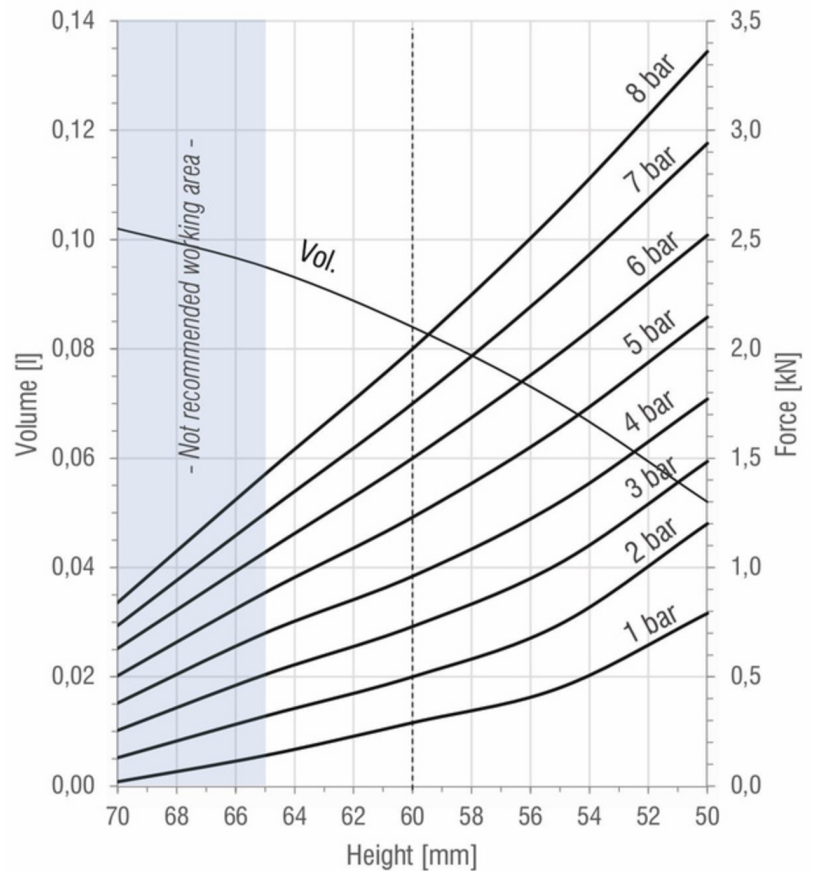
TVB-B01

SINGLE
CONVOLUTION

DRAWING



FORCE-HEIGHT CHART



TECHNICAL DATA

PRODUCT CHARACTERISTICS

Static diameter [mm]	70
Max. diameter [mm]	80
Required space diameter [mm]	95
Min. height [mm]	50
Static height [mm]	60
Design height [mm]	60
Max. usable height [mm]	65
Max. stroke [mm]	15
Force to compress to H_{min} at 0 bar [N]	200
Weight [kg]	0,5

REFERENCES

2x1_B	Rubber bellows only
2x1_D	With aluminium end closures

Additional designs on request.

DYNAMIC CHARACTERISTICS FOR USE AS ISOLATOR

Pressure [bar]	3	4	5	6	7	Vol. [l]
Load [kN]	0,73	0,96	1,23	1,50	1,75	0,08
Spring rate [N/mm]	83	94	111	128	148	
Natural frequency [Hz]	5,33	4,95	4,75	4,62	4,61	
Isolation rate at 10 Hz	60,3%	67,5%	70,9%	72,9%	73,1%	

Values at recommended design height $H: 60 \text{ mm}$ - - - -

STATIC CHARACTERISTICS FOR USE AS ACTUATOR

Pressure [bar]	3	4	5	6	7	Vol. [l]	
Height H [mm]	50	1,49	1,77	2,15	2,52	2,94	0,05
	55	1,02	1,30	1,64	1,98	2,31	0,07
	60	0,73	0,96	1,23	1,50	1,75	0,08
	65	0,51	0,70	0,89	1,07	1,25	0,10

Force values [kN]

All Volume [l] values at 7 bar