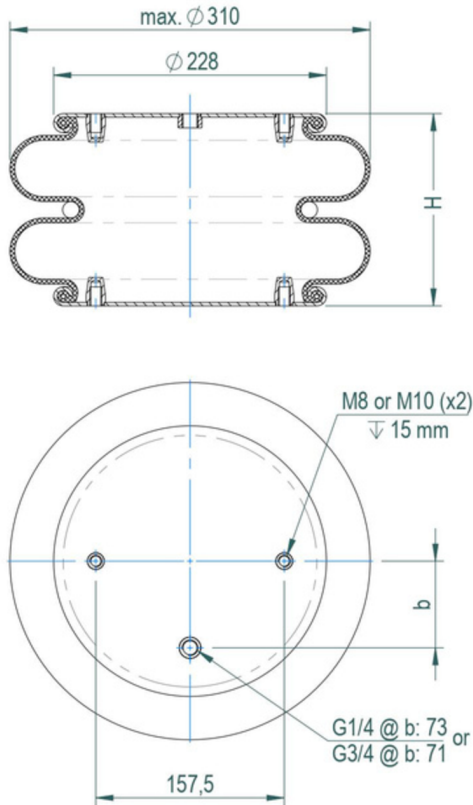


F SERIES
Crimped Design

TV-90

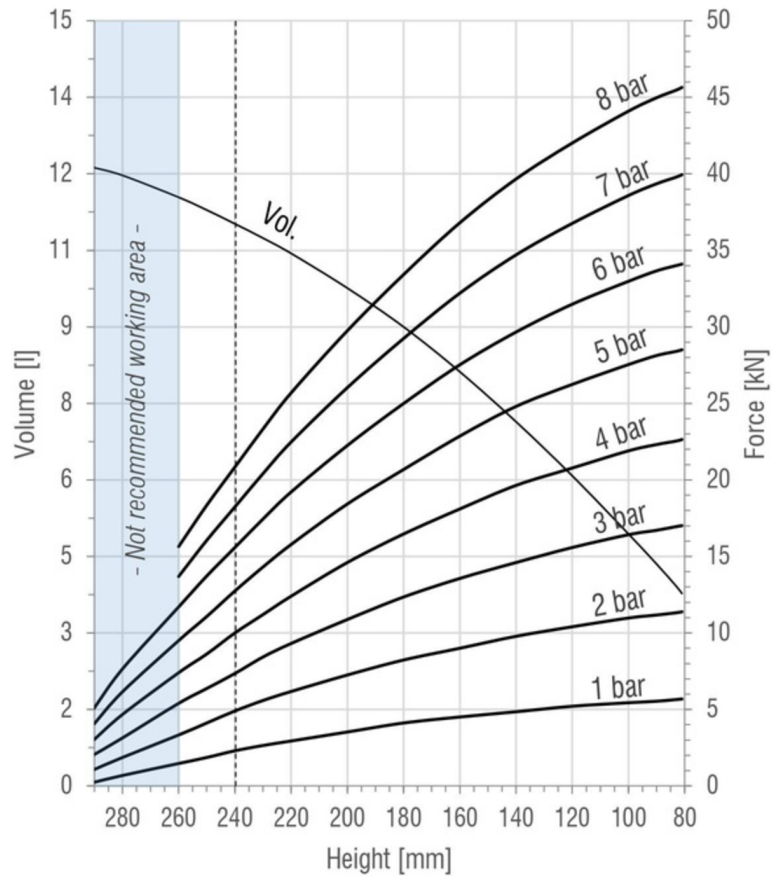
DOUBLE
CONVOLUTION

DRAWING



M8&M10=25 Nm **G1/4**=25 Nm **G3/4**=50 Nm

FORCE-HEIGHT CHART



TECHNICAL DATA

PRODUCT CHARACTERISTICS

Static diameter [mm]	300
Max. diameter [mm]	310
Required space diameter [mm]	325
Min. height [mm]	81
Static height [mm]	162
Design height [mm]	240
Max. usable height [mm]	260
Max. stroke [mm]	179
Force to compress to H_{min} at 0 bar [N]	65
Weight [kg]	6,1

DYNAMIC CHARACTERISTICS FOR USE AS ISOLATOR

Pressure [bar]	3	4	5	6	7	Vol. [l]
Load [kN]	7,4	10,0	12,7	15,6	18,2	11,0
Spring rate [N/mm]	137	171	214	249	289	
Natural frequency [Hz]	2,16	2,07	2,05	2,00	1,99	
Isolation rate at 10 Hz	95,1%	95,5%	95,6%	95,8%	95,9%	

Values at recommended design height H: 240 mm - - - - -

STATIC CHARACTERISTICS FOR USE AS ACTUATOR

Pressure [bar]	3	4	5	6	7	Vol. [l]	
Height H [mm]	100	16,5	21,9	27,5	33,0	38,6	4,9
	120	15,6	20,8	26,2	31,5	36,8	6,1
	140	14,6	19,6	24,8	29,7	34,7	7,1
	160	13,6	18,1	22,9	27,5	32,2	8,1
	180	12,3	16,5	20,7	25,0	29,2	9,0
	200	10,9	14,6	18,4	22,2	26,0	9,8
	220	9,3	12,4	15,8	19,2	22,5	10,4
	240	7,4	10,0	12,7	15,6	18,2	11,0
260	5,3	7,3	9,4	11,5	13,5	11,6	

Force values [kN]

All Volume [l] values at 7 bar

REFERENCES

M-90_B	Rubber bellow only
M-90_C_G1/4	With crimped plates & G1/4 air inlet
M-90_C_G3/4	With crimped plates & G3/4 air inlet
M-90_R_SH	With socket head bead rings
M-90_R_TR	With threaded bead rings
M-90_R_CS	With countersunk bead rings

Designs available with stainless steel and high temperature rubber compounds. Additional designs on request.