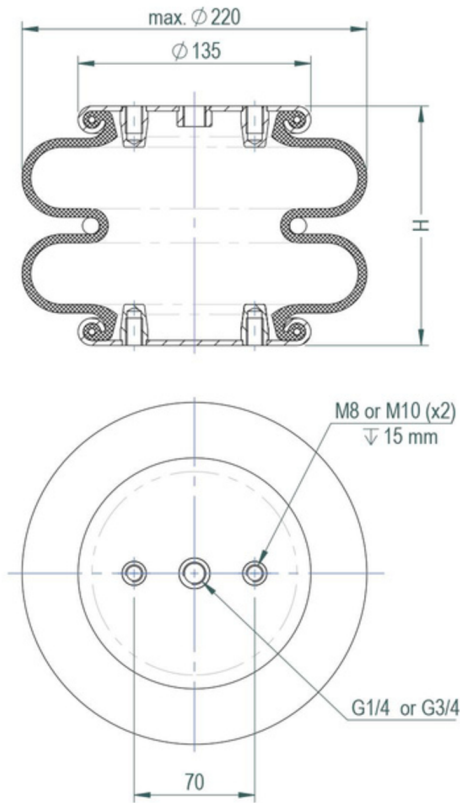


F SERIES
Crimped Design

TV-80

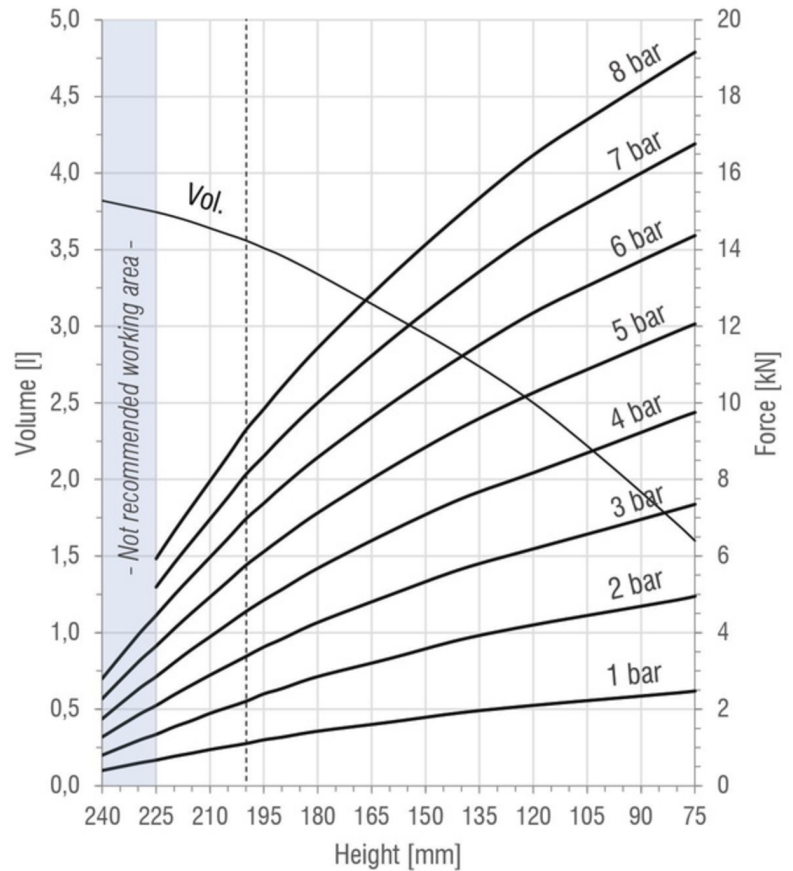
DOUBLE
CONVOLUTION

DRAWING



M8&M10=25 Nm **G1/4**=25 Nm **G3/4**=50 Nm

FORCE-HEIGHT CHART



TECHNICAL DATA

PRODUCT CHARACTERISTICS

Static diameter [mm]	203
Max. diameter [mm]	215
Required space diameter [mm]	230
Min. height [mm]	75
Static height [mm]	150
Design height [mm]	200
Max. usable height [mm]	225
Max. stroke [mm]	150
Force to compress to H_{min} at 0 bar [N]	90
Weight [kg]	2,32

REFERENCES

M-80_B	Rubber bellow only
M-80_C_G1/4	With crimped plates & G1/4 air inlet
M-80_C_G3/4	With crimped plates & G3/4 air inlet
M-80_R_SH	With socket head bead rings
M-80_R_TR	With threaded bead rings
M-80_R_CS	With countersunk bead rings

Designs available with stainless steel and high temperature rubber compounds. Additional designs on request.

DYNAMIC CHARACTERISTICS FOR USE AS ISOLATOR

Pressure [bar]	3	4	5	6	7	Vol. [l]
Load [kN]	3,4	4,6	5,8	7,0	8,1	3,6
Spring rate [N/mm]	63	82	101	120	140	
Natural frequency [Hz]	2,16	2,12	2,10	2,08	2,07	
Isolation rate at 10 Hz	95,1%	95,3%	95,4%	95,5%	95,5%	

Values at recommended design height H: 200 mm -----

STATIC CHARACTERISTICS FOR USE AS ACTUATOR

Height H [mm]	Pressure [bar]	3	4	5	6	7	Vol. [l]
	80	7,2	9,6	11,9	14,2	16,5	1,7
100	6,7	8,9	11,1	13,3	15,5	2,1	
120	6,2	8,2	10,3	12,4	14,4	2,5	
140	5,7	7,5	9,4	11,2	13,1	2,8	
160	5,0	6,6	8,3	10,0	11,6	3,1	
180	4,3	5,7	7,1	8,6	10,0	3,3	
200	3,4	4,6	5,8	7,0	8,1	3,6	
220	2,4	3,2	4,1	5,0	5,8	3,7	

Force values [kN]

All Volume [l] values at 7 bar