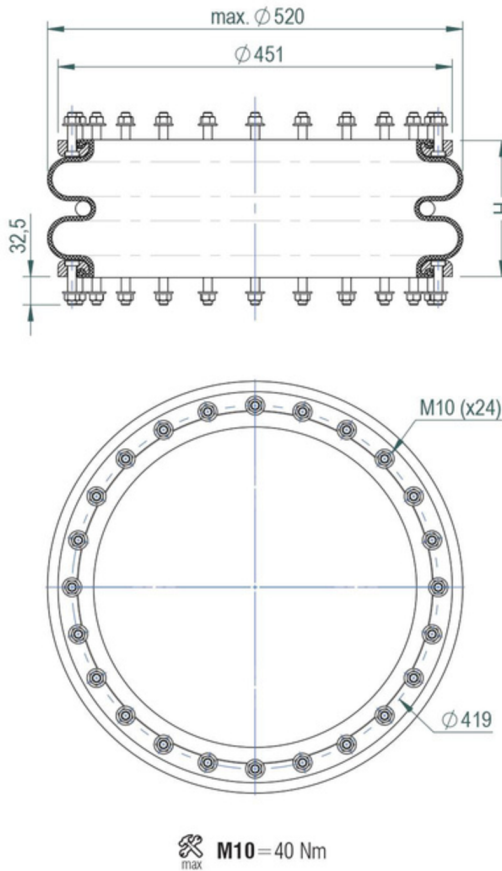


F SERIES
Socket Head Bead Ring Design

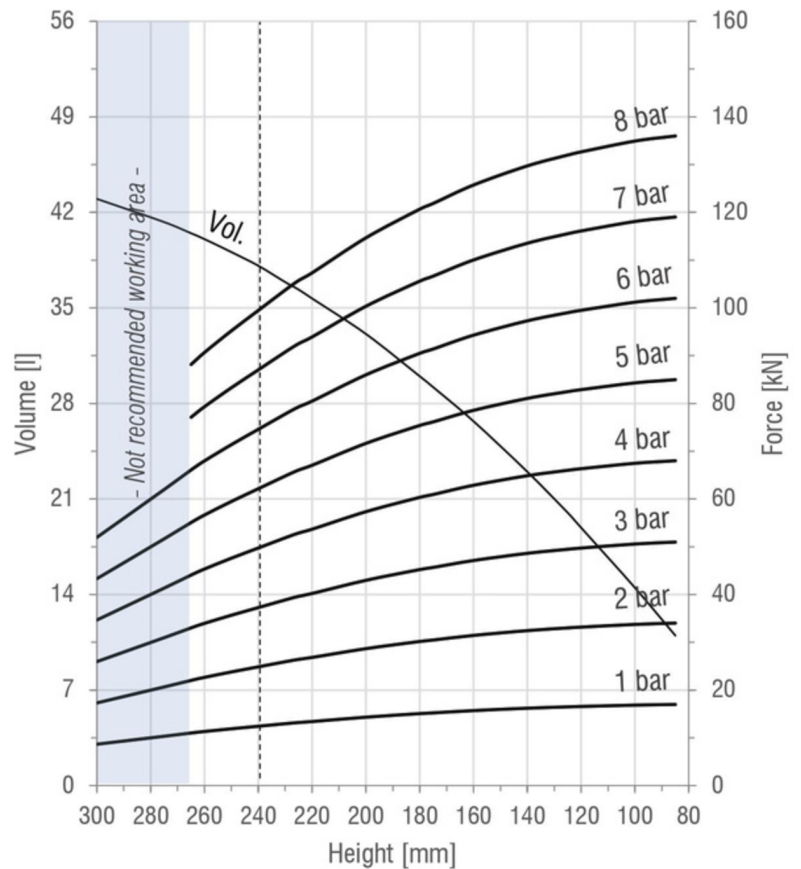
TV-60-2

DOUBLE
CONVOLUTION

DRAWING



FORCE-HEIGHT CHART



TECHNICAL DATA

PRODUCT CHARACTERISTICS

Static diameter [mm]	507
Max. diameter [mm]	520
Required space diameter [mm]	570
Min. height [mm]	85
Static height [mm]	205
Design height [mm]	240
Max. usable height [mm]	265
Max. stroke [mm]	180
Force to compress to H_{min} at 0 bar [N]	180
Weight [kg]	18,2

REFERENCES

M-60-2_B	Rubber bellow only
M-60-2_R_SH	With socket head bead rings
M-60-2_R_TR	With threaded bead rings

Designs available with stainless steel and high temperature rubber compounds. Additional designs on request.

DYNAMIC CHARACTERISTICS FOR USE AS ISOLATOR

Pressure [bar]	3	4	5	6	7	Vol. [l]
Load [kN]	37,3	49,7	62,2	74,6	87,0	38,1
Spring rate [N/mm]	361	465	568	672	775	
Natural frequency [Hz]	1,56	1,53	1,51	1,50	1,49	
Isolation rate at 10 Hz	97,5%	97,6%	97,7%	97,7%	97,7%	

Values at recommended design height H: 240 mm - - - -

STATIC CHARACTERISTICS FOR USE AS ACTUATOR

Pressure [bar]	3	4	5	6	7	Vol. [l]	
Height H [mm]	120	49,8	66,3	82,9	99,5	116,1	18,9
	140	48,7	64,9	81,1	97,3	113,5	23,0
	160	47,2	62,9	78,6	94,3	110,0	26,7
	180	45,3	60,3	75,4	90,5	105,6	30,0
	200	43,0	57,3	71,7	86,0	100,3	33,1
	220	40,3	53,7	67,1	80,5	93,9	35,7
	240	37,3	49,7	62,2	74,6	87,0	38,1
260	34,0	45,3	56,7	68,0	79,3	40,1	

Force values [kN]

All Volume [l] values at 7 bar