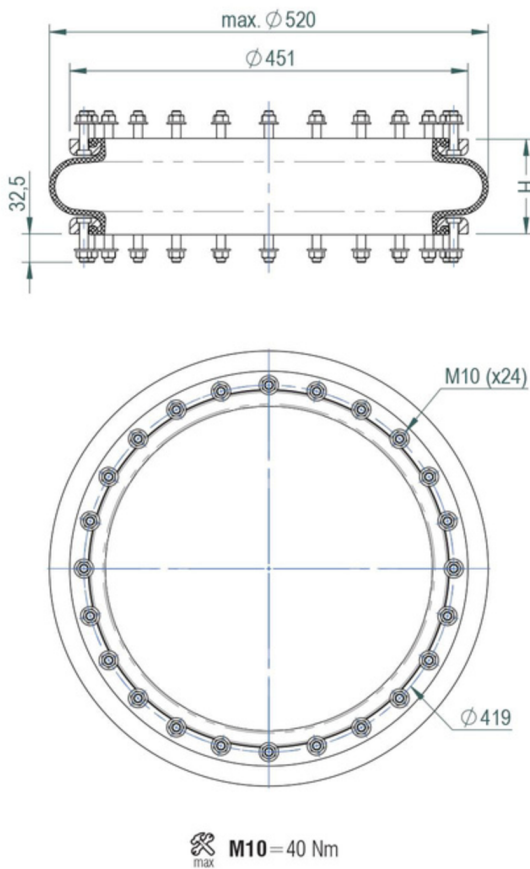


F SERIES  
Socket Head Bead Ring Design

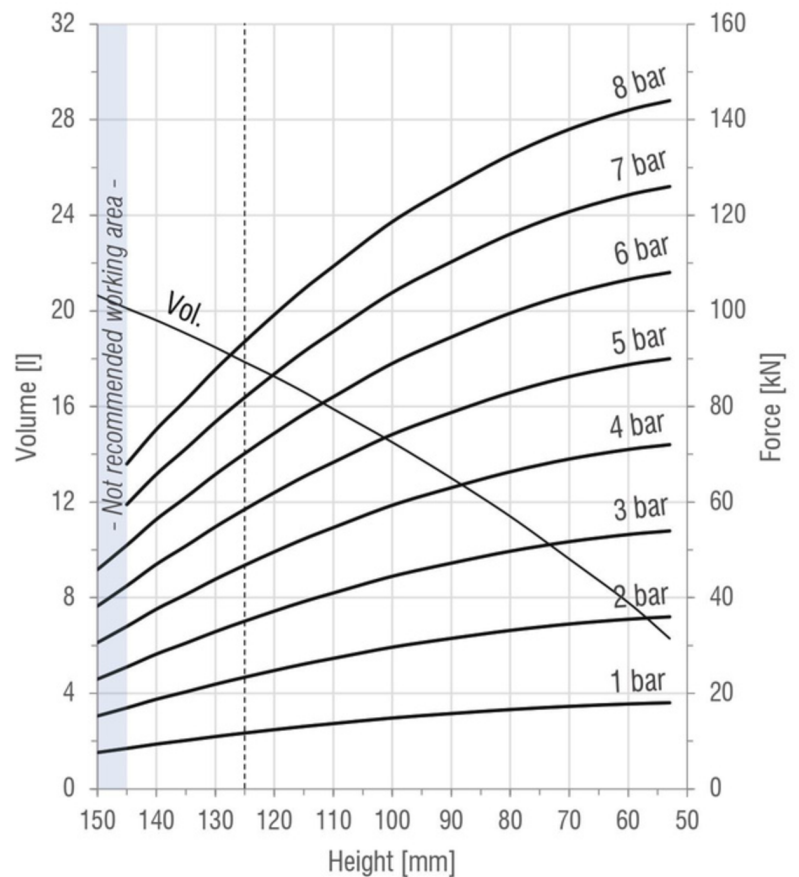
## TV-60-1

SINGLE  
CONVOLUTION

### DRAWING



### FORCE-HEIGHT CHART



### TECHNICAL DATA

#### PRODUCT CHARACTERISTICS

Static diameter [mm]	507
Max. diameter [mm]	520
Required space diameter [mm]	560
Min. height [mm]	53
Static height [mm]	125
Design height [mm]	125
Max. usable height [mm]	145
Max. stroke [mm]	92
Force to compress to $H_{min}$ at 0 bar [N]	90
Weight [kg]	14,3

#### REFERENCES

M-60-1_B	Rubber bellow only
M-60-1_R_SH	With socket head bead rings
M-60-1_R_TR	With threaded bead rings

Designs available with stainless steel and high temperature rubber compounds. Additional designs on request.

#### DYNAMIC CHARACTERISTICS FOR USE AS ISOLATOR

Pressure [bar]	3	4	5	6	7	Vol. [l]
Load [kN]	35,1	46,8	58,5	70,2	81,9	17,9
Spring rate [N/mm]	886	1144	1401	1659	1916	
Natural frequency [Hz]	2,51	2,47	2,45	2,43	2,42	
Isolation rate at 10 Hz	93,3%	93,5%	93,6%	93,7%	93,8%	

Values at recommended design height H: 125 mm - - - -

#### STATIC CHARACTERISTICS FOR USE AS ACTUATOR

Pressure [bar]		3	4	5	6	7	Vol. [l]
Height H [mm]	60	53,3	71,0	88,8	106,5	124,3	7,8
	80	49,8	66,3	82,9	99,5	116,1	11,4
	100	44,5	59,3	74,2	89,0	103,8	14,5
	120	37,2	49,6	62,0	74,4	86,8	17,3
	140	28,2	37,6	47,0	56,4	65,8	19,6

Force values [kN]

All Volume [l] values at 7 bar