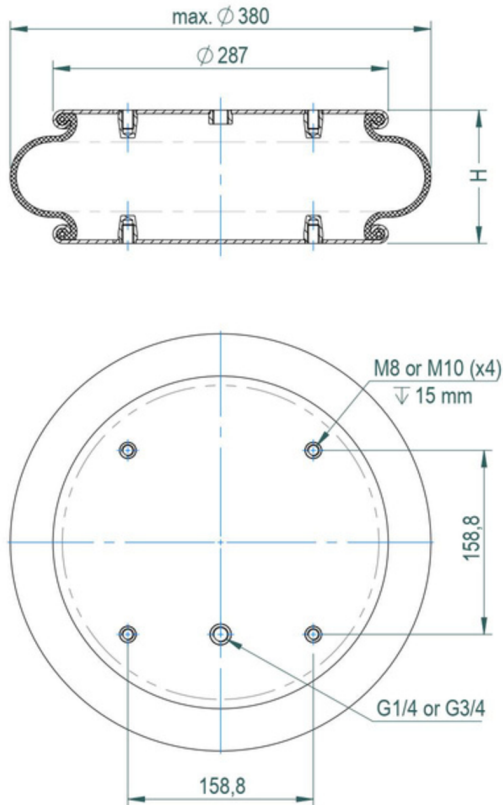


F SERIES
Crimped Design

TV-45

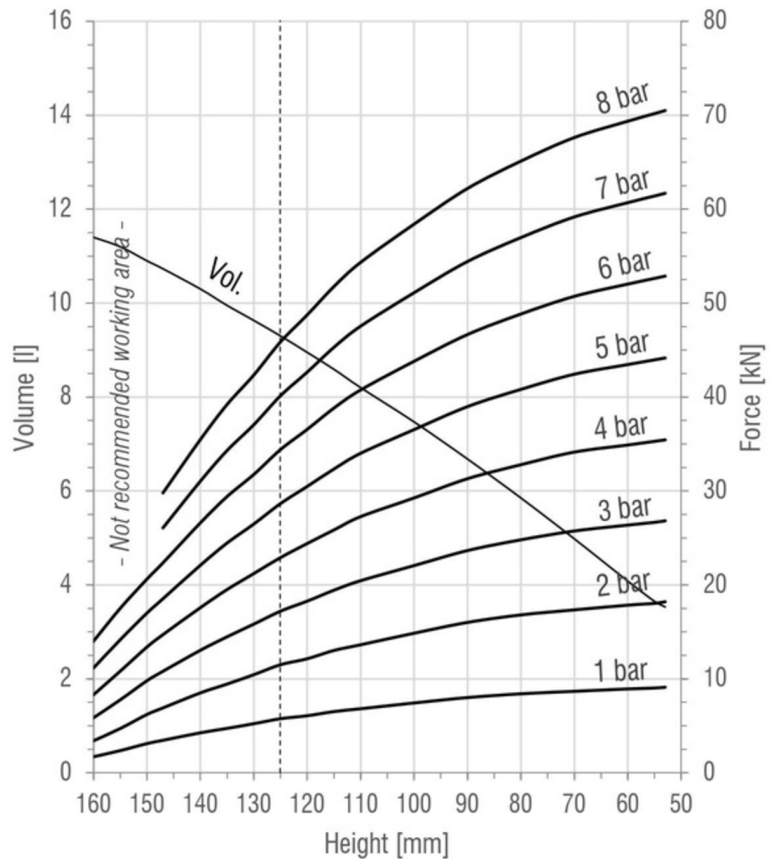
SINGLE
CONVOLUTION

DRAWING



M8&M10=25 Nm **G1/4**=25 Nm **G3/4**=50 Nm

FORCE-HEIGHT CHART



TECHNICAL DATA

PRODUCT CHARACTERISTICS

Static diameter [mm]	365
Max. diameter [mm]	380
Required space diameter [mm]	395
Min. height [mm]	53
Static height [mm]	112
Design height [mm]	125
Max. usable height [mm]	147
Max. stroke [mm]	94
Force to compress to H_{min} at 0 bar [N]	210
Weight [kg]	5,75

REFERENCES

M-45_B	Rubber bellow only
M-45_C_G1/4	With crimped plates & G1/4 air inlet
M-45_C_G3/4	With crimped plates & G3/4 air inlet
M-45_R_SH	With socket head bead rings
M-45_R_TR	With threaded bead rings
M-45_R_CS	With countersunk bead rings

Designs available with stainless steel and high temperature rubber compounds. Additional designs on request.

DYNAMIC CHARACTERISTICS FOR USE AS ISOLATOR

Pressure [bar]	3	4	5	6	7	Vol. [l]
Load [kN]	17,2	22,9	28,7	34,4	40,1	9,3
Spring rate [N/mm]	484	613	750	886	1024	
Natural frequency [Hz]	2,65	2,59	2,56	2,54	2,53	
Isolation rate at 10 Hz	92,4%	92,8%	93,0%	93,1%	93,2%	

Values at recommended design height H: 125 mm - - - -

STATIC CHARACTERISTICS FOR USE AS ACTUATOR

Pressure [bar]	3	4	5	6	7	Vol. [l]	
Height H [mm]	60	26,4	34,9	43,5	52,0	60,7	4,1
	70	25,7	34,1	42,4	50,7	59,2	5,0
	80	24,8	32,8	40,8	48,8	57,0	5,9
	90	23,7	31,3	39,0	46,6	54,4	6,7
	100	22,1	29,3	36,5	43,8	51,1	7,5
	110	20,4	27,3	34,0	40,7	47,5	8,2
	120	18,3	24,4	30,5	36,6	42,6	9,0
	130	15,8	21,2	26,5	31,8	37,0	9,6
140	13,0	17,6	22,1	26,6	31,0	10,3	

Force values [kN]

All Volume [l] values at 7 bar