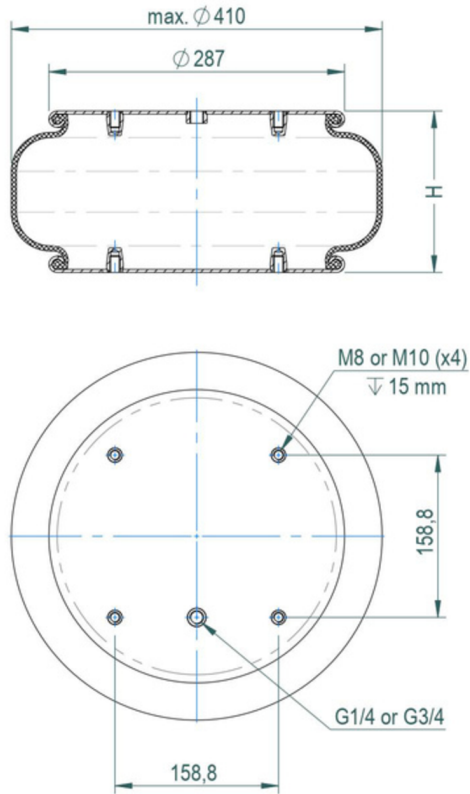


F SERIES
Crimped Design

TV-45-E

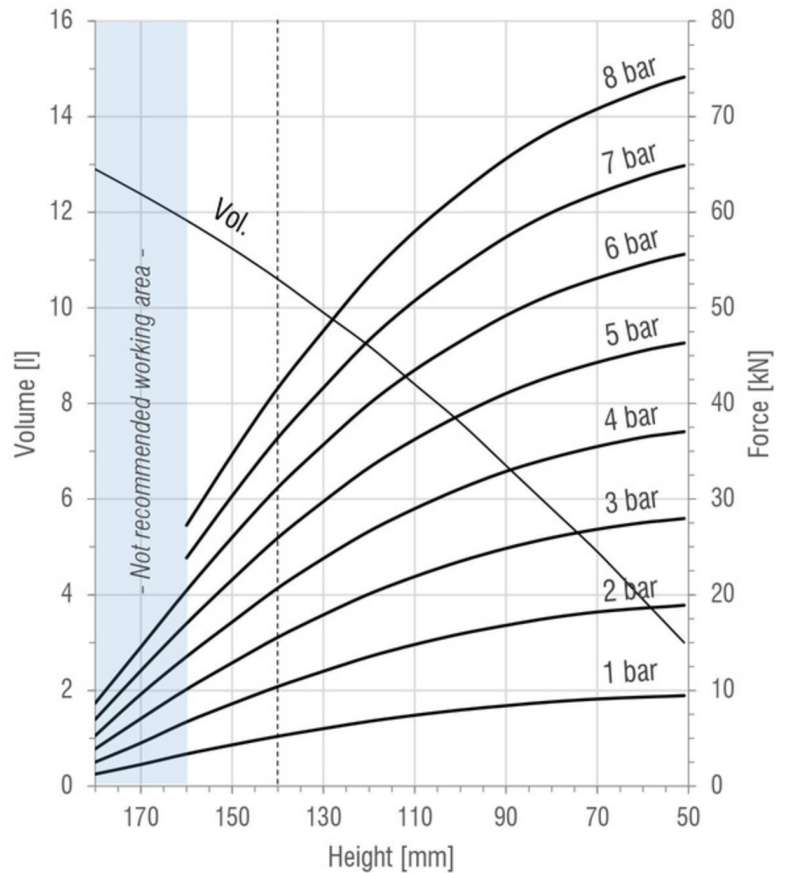
SINGLE
CONVOLUTION

DRAWING



M8&M10=25 Nm **G1/4**=25 Nm **G3/4**=50 Nm

FORCE-HEIGHT CHART



TECHNICAL DATA

PRODUCT CHARACTERISTICS

Static diameter [mm]	362
Max. diameter [mm]	410
Required space diameter [mm]	425
Min. height [mm]	51
Static height [mm]	150
Design height [mm]	140
Max. usable height [mm]	160
Max. stroke [mm]	109
Force to compress to H_{min} at 0 bar [N]	170
Weight [kg]	5,85

DYNAMIC CHARACTERISTICS FOR USE AS ISOLATOR

Pressure [bar]	3	4	5	6	7	Vol. [l]
Load [kN]	15,6	20,7	26,0	31,2	36,4	10,6
Spring rate [N/mm]	436	563	686	809	936	
Natural frequency [Hz]	2,65	2,61	2,57	2,55	2,54	
Isolation rate at 10 Hz	92,5%	92,7%	92,9%	93,1%	93,1%	

Values at recommended design height H: 140 mm -----

STATIC CHARACTERISTICS FOR USE AS ACTUATOR

Pressure [bar]	3	4	5	6	7	Vol. [l]	
Height H [mm]	60	27,5	36,5	45,5	54,5	63,6	3,9
	80	26,0	34,3	42,9	51,4	60,0	5,8
	100	23,5	31,1	38,8	46,5	54,3	7,6
	120	20,1	26,6	33,3	40,0	46,6	9,2
	140	15,6	20,7	26,0	31,2	36,4	10,6
160	10,1	13,5	17,0	20,4	23,8	11,8	

Force values [kN]

All Volume [l] values at 7 bar

REFERENCES

M-45-E_B	Rubber bellow only
M-45-E_C_G1/4	With crimped plates & G1/4 air inlet
M-45-E_C_G3/4	With crimped plates & G3/4 air inlet
M-45-E_R_SH	With socket head bead rings
M-45-E_R_TR	With threaded bead rings
M-45-E_R_CS	With countersunk bead rings

Designs available with stainless steel and high temperature rubber compounds. Additional designs on request.