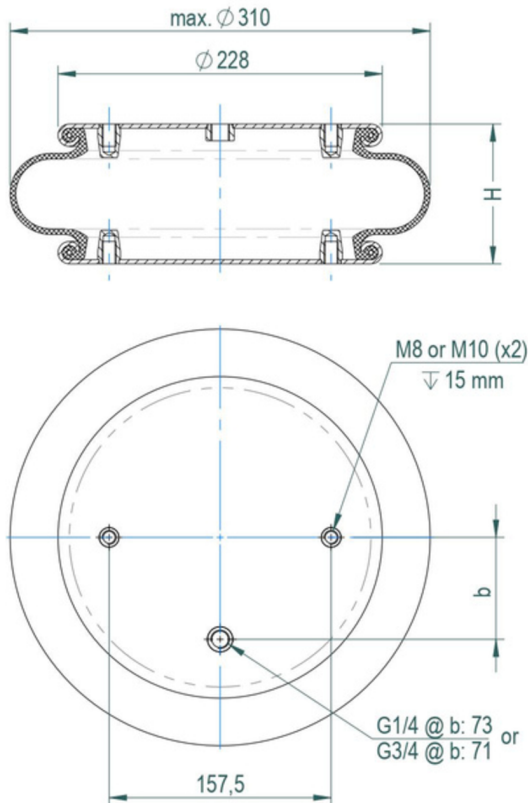


F SERIES
Crimped Design

TV-40

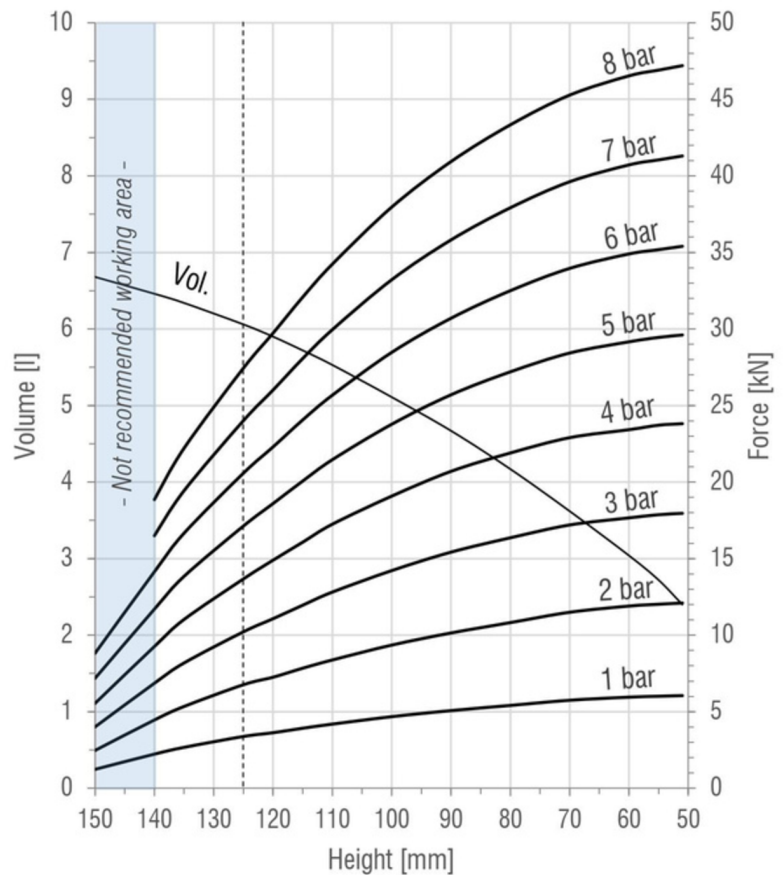
SINGLE
CONVOLUTION

DRAWING



M8&M10=25 Nm **G1/4**=25 Nm **G3/4**=50 Nm

FORCE-HEIGHT CHART



TECHNICAL DATA

PRODUCT CHARACTERISTICS

| | |
|---------------------------------------------|-----|
| Static diameter [mm] | 300 |
| Max. diameter [mm] | 310 |
| Required space diameter [mm] | 325 |
| Min. height [mm] | 51 |
| Static height [mm] | 100 |
| Design height [mm] | 125 |
| Max. usable height [mm] | 140 |
| Max. stroke [mm] | 89 |
| Force to compress to H_{min} at 0 bar [N] | 50 |
| Weight [kg] | 4,0 |

REFERENCES

| | |
|--------------------|--------------------------------------|
| M-40_B | Rubber bellow only |
| M-40_C_G1/4 | With crimped plates & G1/4 air inlet |
| M-40_C_G3/4 | With crimped plates & G3/4 air inlet |
| M-40_R_SH | With socket head bead rings |
| M-40_R_TR | With threaded bead rings |
| M-40_R_CS | With countersunk bead rings |

Designs available with stainless steel and high temperature rubber compounds. Additional designs on request.

DYNAMIC CHARACTERISTICS FOR USE AS ISOLATOR

| Pressure [bar] | 3 | 4 | 5 | 6 | 7 | Vol. [l] |
|-------------------------|-------|-------|-------|-------|-------|----------|
| Load [kN] | 10,2 | 13,7 | 17,1 | 20,6 | 24,0 | 6,1 |
| Spring rate [N/mm] | 288 | 378 | 461 | 545 | 632 | |
| Natural frequency [Hz] | 2,65 | 2,63 | 2,60 | 2,57 | 2,57 | |
| Isolation rate at 10 Hz | 92,4% | 92,6% | 92,8% | 92,9% | 93,0% | |

Values at recommended design height H: 125 mm -----

STATIC CHARACTERISTICS FOR USE AS ACTUATOR

| Pressure [bar] | 3 | 4 | 5 | 6 | 7 | Vol. [l] | |
|----------------|-----|------|------|------|------|----------|-----|
| Height H [mm] | 60 | 17,7 | 23,4 | 29,2 | 34,9 | 40,7 | 3,0 |
| | 70 | 17,2 | 22,9 | 28,4 | 34,0 | 39,6 | 3,6 |
| | 80 | 16,4 | 21,9 | 27,2 | 32,5 | 37,9 | 4,2 |
| | 90 | 15,4 | 20,7 | 25,7 | 30,7 | 35,8 | 4,7 |
| | 100 | 14,2 | 19,1 | 23,8 | 28,5 | 33,2 | 5,1 |
| | 110 | 12,8 | 17,2 | 21,5 | 25,7 | 30,0 | 5,5 |
| | 120 | 11,1 | 14,9 | 18,6 | 22,3 | 26,0 | 5,9 |
| | 130 | 9,4 | 12,5 | 15,6 | 18,8 | 22,1 | 6,2 |
| 140 | 6,9 | 9,3 | 11,7 | 14,1 | 16,5 | 6,5 | |

Force values [kN]

All Volume [l] values at 7 bar