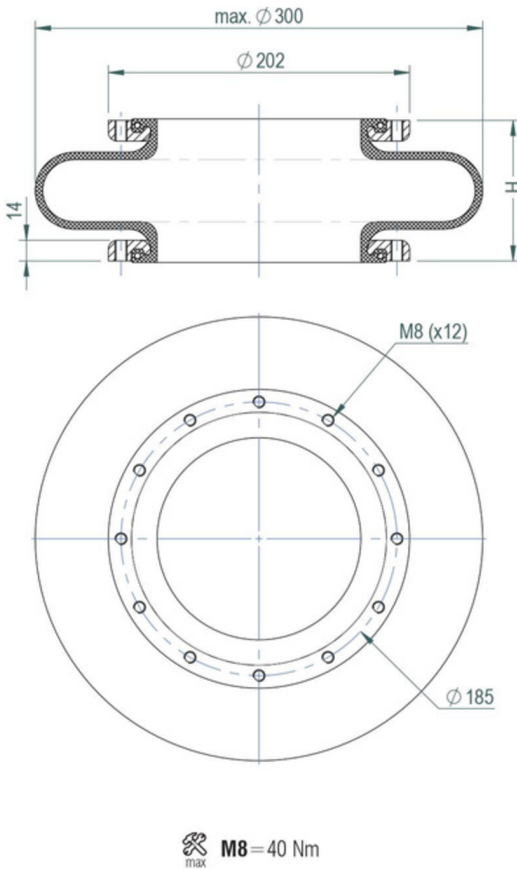


F SERIES
Threaded Bead Ring Design

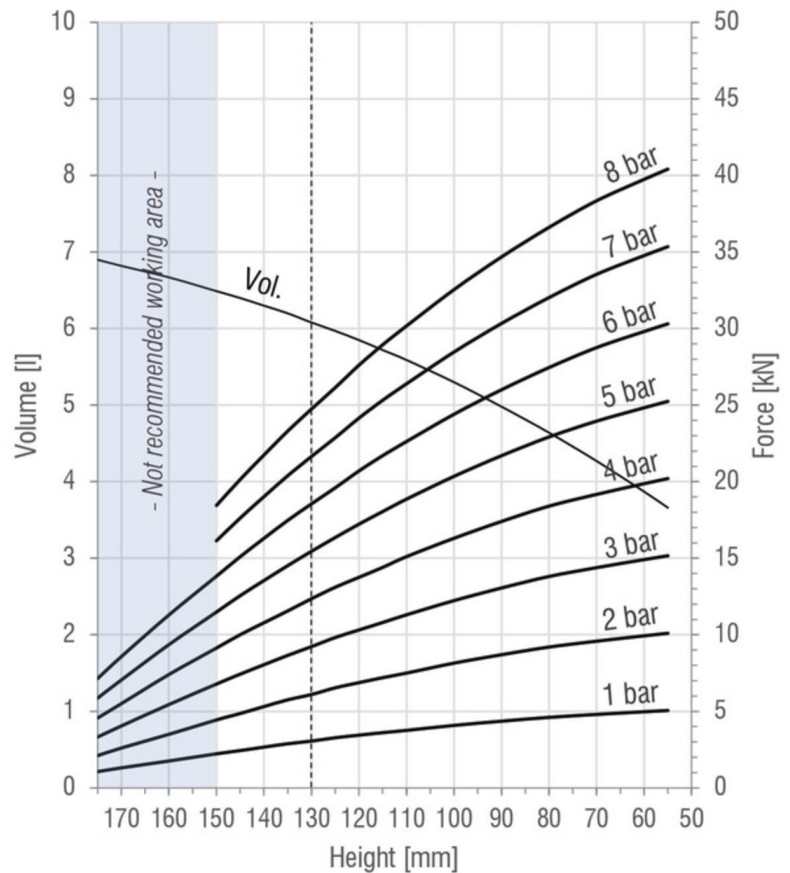
TV-40-EE

SINGLE
CONVOLUTION

DRAWING



FORCE-HEIGHT CHART



TECHNICAL DATA

PRODUCT CHARACTERISTICS

Static diameter [mm]	300
Max. diameter [mm]	310
Required space diameter [mm]	325
Min. height [mm]	55
Static height [mm]	90
Design height [mm]	130
Max. usable height [mm]	150
Max. stroke [mm]	95
Force to compress to H_{min} at 0 bar [N]	15
Weight [kg]	3,6

REFERENCES

M-40-EE_B	Rubber bellow only
M-40-EE_R_TR	With threaded bead rings

Designs available with stainless steel and high temperature rubber compounds. Additional designs on request.

DYNAMIC CHARACTERISTICS FOR USE AS ISOLATOR

Pressure [bar]	3	4	5	6	7	Vol. [l]
Load [kN]	9,2	12,4	15,5	18,6	21,6	6,1
Spring rate [N/mm]	177	228	280	332	384	
Natural frequency [Hz]	2,19	2,15	2,13	2,11	2,11	
Isolation rate at 10 Hz	95,0%	95,2%	95,3%	95,3%	95,4%	

Values at recommended design height H: 130 mm -----

STATIC CHARACTERISTICS FOR USE AS ACTUATOR

Pressure [bar]	3	4	5	6	7	Vol. [l]	
Height H [mm]	60	14,9	19,9	24,8	29,8	34,8	3,9
	70	14,4	19,2	24,0	28,8	33,5	4,3
	80	13,8	18,4	22,9	27,5	32,0	4,6
	90	13,1	17,4	21,7	26,0	30,3	5,0
	100	12,2	16,3	20,4	24,4	28,5	5,3
	110	11,3	15,1	18,9	22,6	26,4	5,6
	120	10,3	13,8	17,2	20,7	24,2	5,9
	130	9,2	12,4	15,5	18,6	21,6	6,1
	140	8,0	10,8	13,5	16,3	19,0	6,3
	150	6,8	9,1	11,5	13,8	16,1	6,5

Force values [kN]

All Volume [l] values at 7 bar