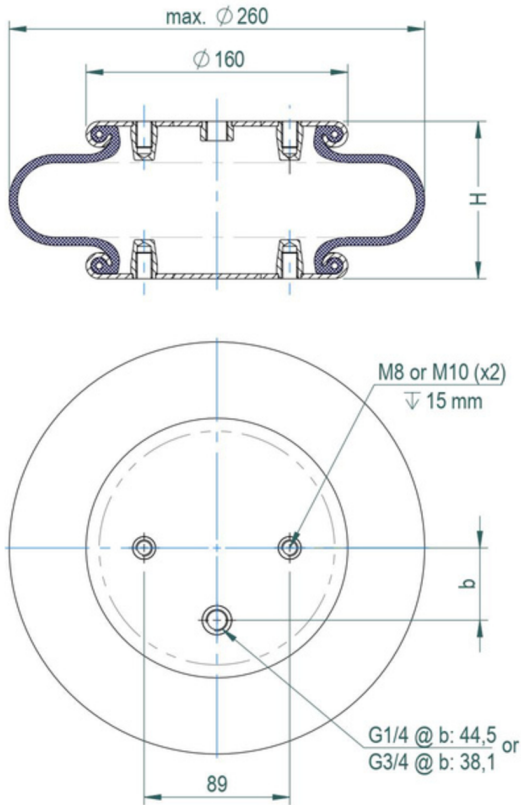


F SERIES  
Crimped Design

## TV-35

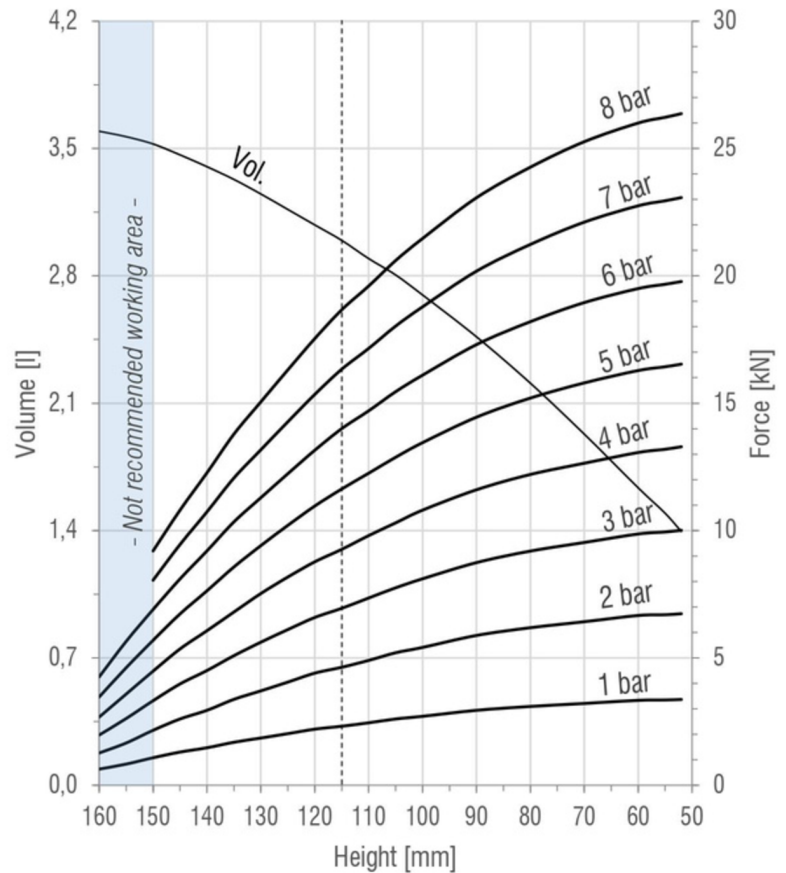
SINGLE  
CONVOLUTION

### DRAWING



**M8&M10**=25 Nm **G1/4**=25 Nm **G3/4**=50 Nm

### FORCE-HEIGHT CHART



### TECHNICAL DATA

#### PRODUCT CHARACTERISTICS

Static diameter [mm]	252
Max. diameter [mm]	260
Required space diameter [mm]	270
Min. height [mm]	52
Static height [mm]	90
Design height [mm]	115
Max. usable height [mm]	150
Max. stroke [mm]	98
Force to compress to $H_{min}$ at 0 bar [N]	40
Weight [kg]	2,43

#### REFERENCES

<b>M-35_B</b>	Rubber bellow only
<b>M-35_C_G1/4</b>	With crimped plates & G1/4 air inlet
<b>M-35_C_G3/4</b>	With crimped plates & G3/4 air inlet
<b>M-35_R_SH</b>	With socket head bead rings
<b>M-35_R_TR</b>	With threaded bead rings
<b>M-35_R_CS</b>	With countersunk bead rings

Designs available with stainless steel and high temperature rubber compounds. Additional designs on request.

#### DYNAMIC CHARACTERISTICS FOR USE AS ISOLATOR

Pressure [bar]	3	4	5	6	7	Vol. [l]
Load [kN]	6,9	9,3	11,6	14,0	16,3	3,0
Spring rate [N/mm]	161	205	252	299	345	
Natural frequency [Hz]	2,41	2,35	2,33	2,31	2,30	
Isolation rate at 10 Hz	93,8%	94,1%	94,3%	94,4%	94,4%	

Values at recommended design height H: 115 mm -----

#### STATIC CHARACTERISTICS FOR USE AS ACTUATOR

Pressure [bar]	3	4	5	6	7	Vol. [l]	
Height H [mm]	60	9,9	13,1	16,3	19,5	22,8	1,6
	70	9,5	12,6	15,8	19,0	22,1	1,9
	80	9,2	12,2	15,2	18,2	21,2	2,2
	90	8,7	11,6	14,5	17,3	20,2	2,5
	100	8,1	10,8	13,5	16,1	18,8	2,7
	110	7,4	9,8	12,3	14,7	17,2	2,9
	120	6,6	8,8	11,0	13,2	15,3	3,1
	130	5,6	7,5	9,4	11,3	13,2	3,3
	140	4,5	6,1	7,6	9,2	10,7	3,4
	150	3,3	4,5	5,7	6,9	8,1	3,5

Force values [kN]

All Volume [l] values at 7 bar