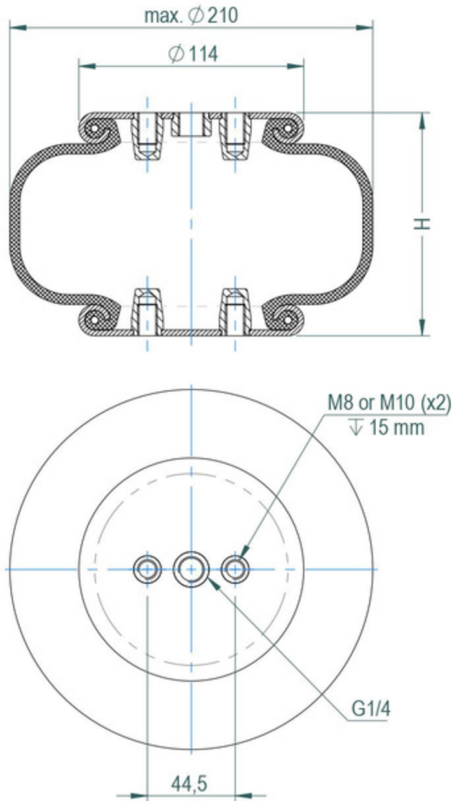


F SERIES
Crimped Design

TV-25-E

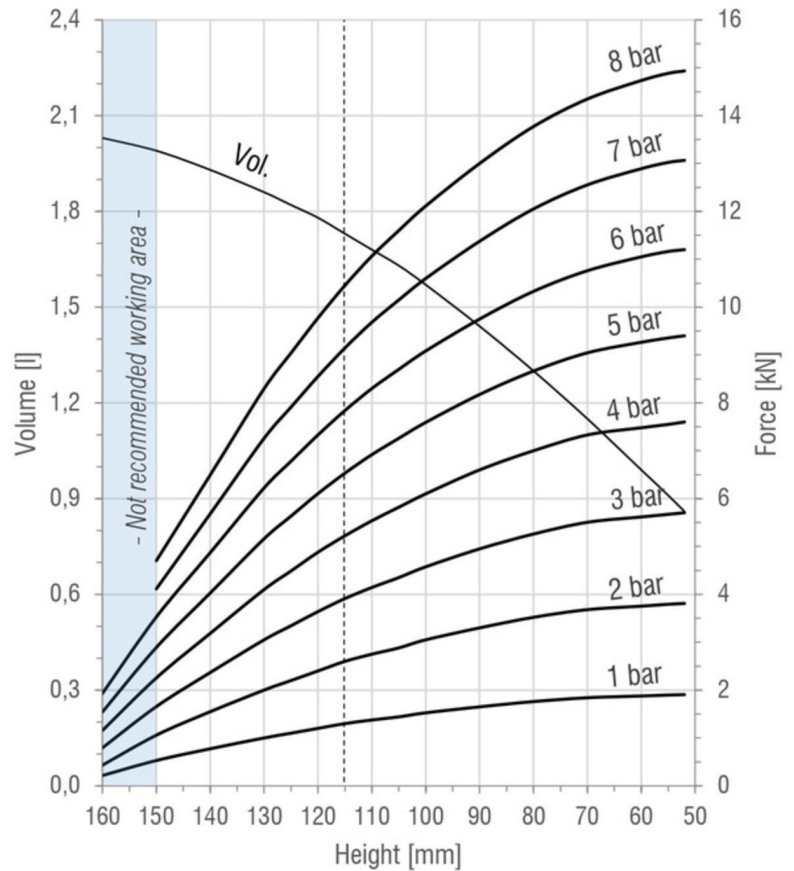
SINGLE
CONVOLUTION

DRAWING



M8&M10=25 Nm G1/4=25 Nm

FORCE-HEIGHT CHART



TECHNICAL DATA

PRODUCT CHARACTERISTICS

Static diameter [mm]	183
Max. diameter [mm]	210
Required space diameter [mm]	225
Min. height [mm]	52
Static height [mm]	115
Design height [mm]	115
Max. usable height [mm]	150
Max. stroke [mm]	98
Force to compress to H_{min} at 0 bar [N]	90
Weight [kg]	1,47

REFERENCES

M-25-E_B	Rubber bellow only
M-25-E_C_G1/4	With crimped plates & G1/4 air inlet

Designs available with stainless steel and high temperature rubber compounds. Additional designs on request.

DYNAMIC CHARACTERISTICS FOR USE AS ISOLATOR

Pressure [bar]	3	4	5	6	7	Vol. [l]
Load [kN]	3,9	5,2	6,5	7,8	9,1	1,7
Spring rate [N/mm]	90	117	142	166	192	
Natural frequency [Hz]	2,40	2,36	2,33	2,30	2,29	
Isolation rate at 10 Hz	93,9%	94,1%	94,3%	94,4%	94,5%	

Values at recommended design height H: 115 mm -----

STATIC CHARACTERISTICS FOR USE AS ACTUATOR

Pressure [bar]	3	4	5	6	7	Vol. [l]	
Height H [mm]	60	5,6	7,5	9,3	11,1	12,9	1,0
	70	5,5	7,3	9,0	10,8	12,6	1,2
	80	5,3	7,0	8,7	10,3	12,1	1,3
	90	5,0	6,6	8,2	9,8	11,4	1,4
	100	4,6	6,1	7,6	9,1	10,6	1,6
	110	4,1	5,5	6,9	8,3	9,7	1,7
	120	3,6	4,9	6,1	7,3	8,6	1,8
	130	3,1	4,1	5,2	6,2	7,3	1,9
	140	2,4	3,2	4,0	4,9	5,7	1,9
	150	1,7	2,3	2,9	3,5	4,1	2,0

Force values [kN]

All Volume [l] values at 7 bar