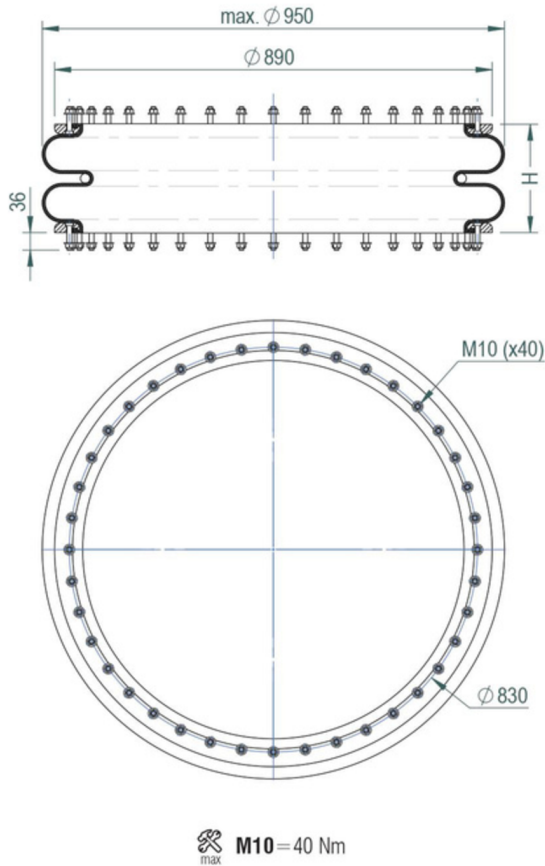


F SERIES
Socket Head Bead Ring Design

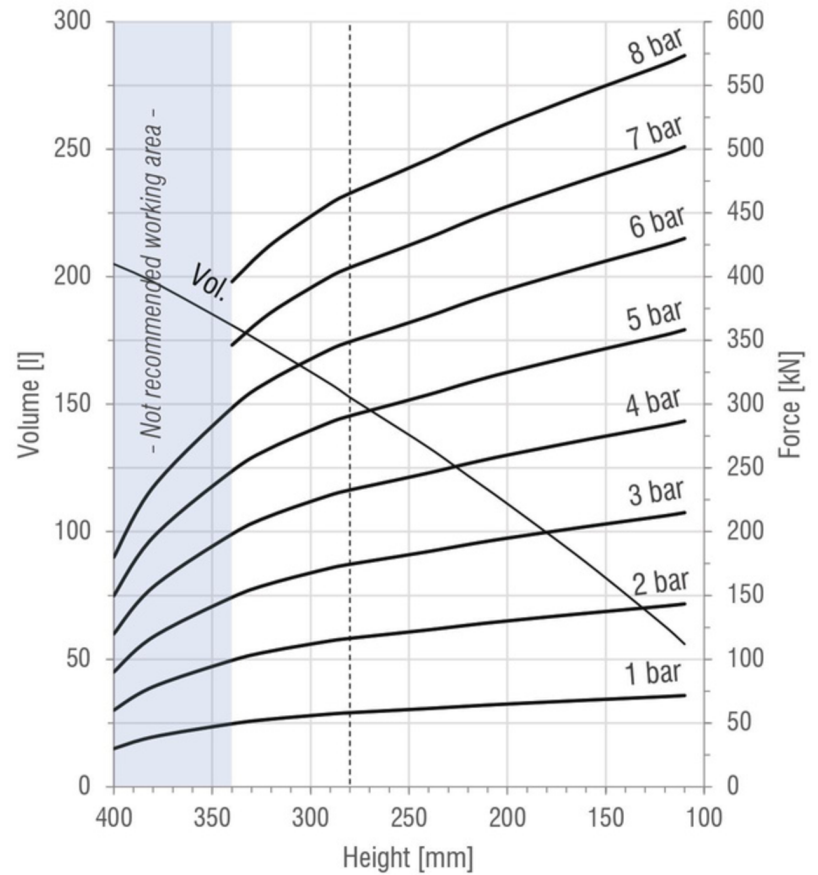
TV-140-2

DOUBLE
CONVOLUTION

DRAWING



FORCE-HEIGHT CHART



TECHNICAL DATA

PRODUCT CHARACTERISTICS

Static diameter [mm]	940
Max. diameter [mm]	950
Required space diameter [mm]	1.000
Min. height [mm]	110
Static height [mm]	225
Design height [mm]	280
Max. usable height [mm]	340
Max. stroke [mm]	230
Force to compress to H_{min} at 0 bar [N]	1.600
Weight [kg]	54,2

REFERENCES

M-140-2_B	Rubber bellow only
M-140-2_R_SH	With socket head bead rings
M-140-2_R_TR	With threaded bead rings

Designs available with stainless steel and high temperature rubber compounds. Additional designs on request.

DYNAMIC CHARACTERISTICS FOR USE AS ISOLATOR

Pressure [bar]	3	4	5	6	7	Vol. [l]
Load [kN]	174,5	232,7	290,8	349,0	407,2	152,7
Spring rate [N/mm]	1.347	1.706	2.065	2.424	2.783	
Natural frequency [Hz]	1,39	1,35	1,33	1,32	1,31	
Isolation rate at 10 Hz	98,0%	98,1%	98,2%	98,2%	98,3%	

Values at recommended design height H: 280 mm -----

STATIC CHARACTERISTICS FOR USE AS ACTUATOR

Pressure [bar]		3	4	5	6	7	Vol. [l]
Height H [mm]	120	212,5	283,3	354,2	425,0	495,8	63,0
	160	204,0	272,0	340,0	408,0	476,0	88,0
	200	195,0	260,0	325,0	390,0	455,0	111,0
	240	184,5	246,0	307,5	369,0	430,5	133,0
	280	174,5	232,7	290,8	349,0	407,2	152,7
320	159,5	212,7	265,8	319,0	372,2	172,0	

Force values [kN]

All Volume [l] values at 7 bar