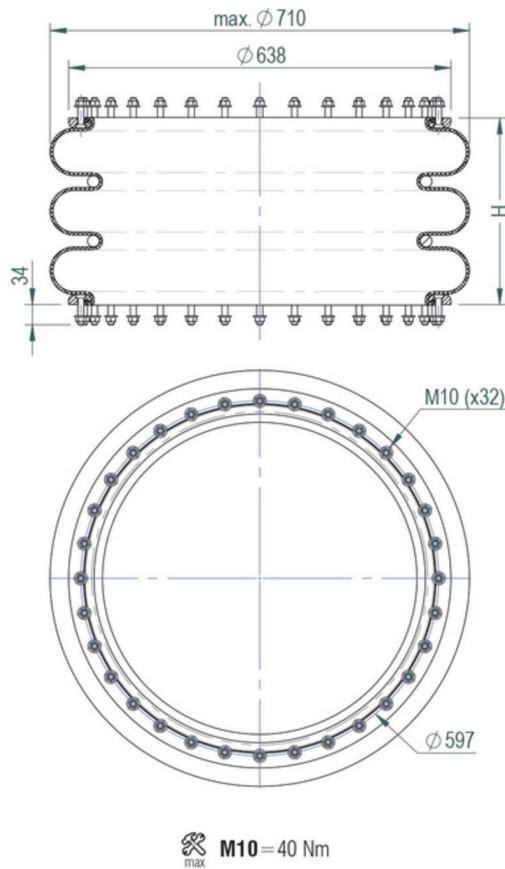


F SERIES
Socket Head Bead Ring Design

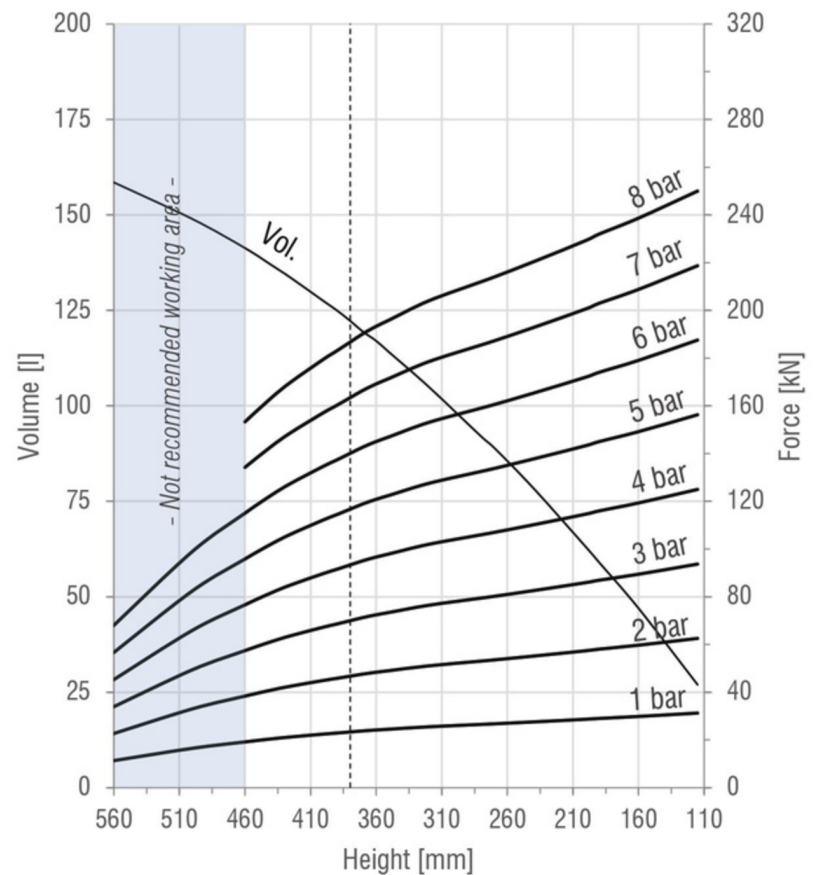
TV-130-3

TRIPLE
CONVOLUTION

DRAWING



FORCE-HEIGHT CHART



TECHNICAL DATA

PRODUCT CHARACTERISTICS

Static diameter [mm]	700
Max. diameter [mm]	710
Required space diameter [mm]	760
Min. height [mm]	115
Static height [mm]	300
Design height [mm]	380
Max. usable height [mm]	460
Max. stroke [mm]	345
Force to compress to H_{min} at 0 bar [N]	800
Weight [kg]	34,7

REFERENCES

M-130-3_B	Rubber bellow only
M-130-3_R_SH	With socket head bead rings
M-130-3_R_TR	With threaded bead rings

Designs available with stainless steel and high temperature rubber compounds. Additional designs on request.

DYNAMIC CHARACTERISTICS FOR USE AS ISOLATOR

Pressure [bar]	3	4	5	6	7	Vol. [l]
Load [kN]	70,0	93,3	116,7	140,0	163,3	122,3
Spring rate [N/mm]	432	551	670	789	908	
Natural frequency [Hz]	1,24	1,21	1,20	1,19	1,18	
Isolation rate at 10 Hz	98,4%	98,5%	98,5%	98,6%	98,6%	

Values at recommended design height H: 380 mm -----

STATIC CHARACTERISTICS FOR USE AS ACTUATOR

Pressure [bar]	3	4	5	6	7	Vol. [l]	
Height H [mm]	160	89,5	119,3	149,2	179,0	208,8	47,0
	200	86,0	114,7	143,3	172,0	200,7	63,0
	240	82,7	110,2	137,8	165,3	192,9	78,4
	280	79,5	106,0	132,5	159,0	185,5	92,0
	320	76,5	102,0	127,5	153,0	178,5	105,0
	360	72,5	96,7	120,8	145,0	169,2	117,0
	400	67,4	89,8	112,3	134,7	157,2	127,4
440	61,3	81,7	102,1	122,5	142,9	136,9	

Force values [kN]

All Volume [l] values at 7 bar

⚠ Special guides are required when used as isolators due to lateral instability.