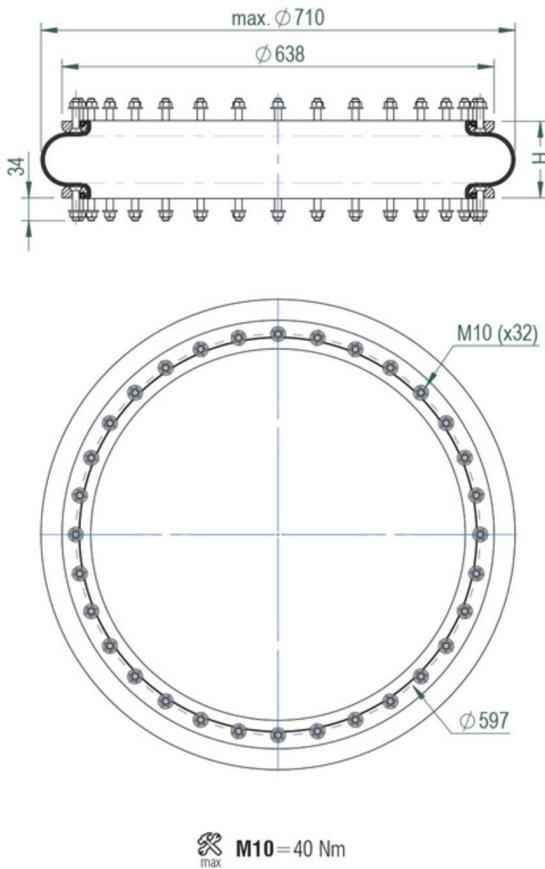


F SERIES
Socket Head Bead Ring Design

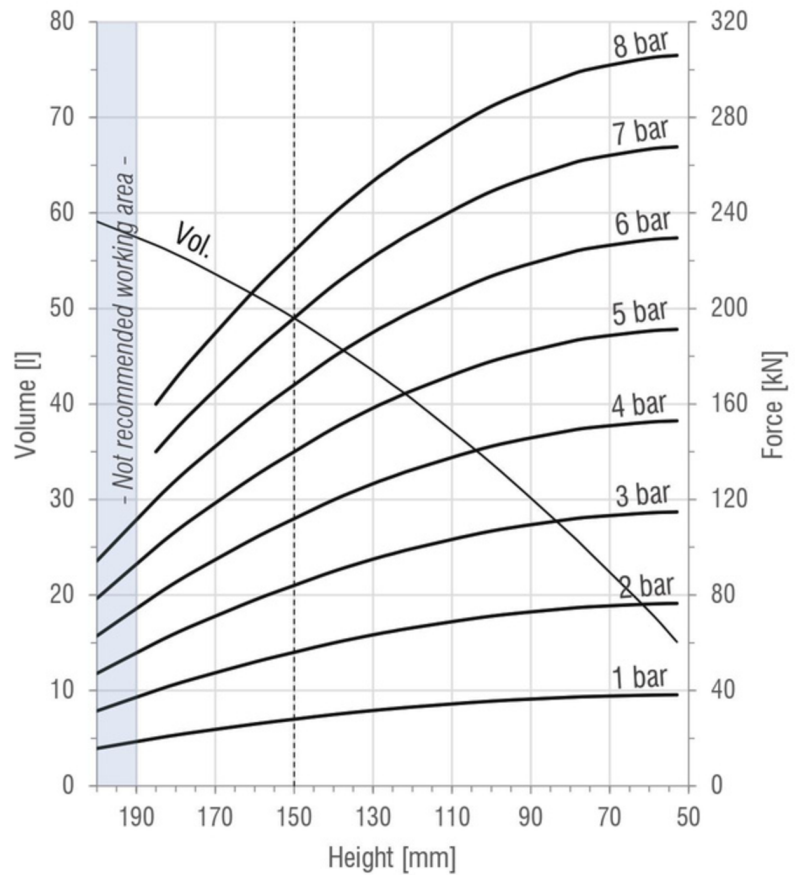
TV-130-1

SINGLE
CONVOLUTION

DRAWING



FORCE-HEIGHT CHART



TECHNICAL DATA

PRODUCT CHARACTERISTICS

Static diameter [mm]	700
Max. diameter [mm]	710
Required space diameter [mm]	760
Min. height [mm]	53
Static height [mm]	120
Design height [mm]	150
Max. usable height [mm]	185
Max. stroke [mm]	132
Force to compress to H_{min} at 0 bar [N]	700
Weight [kg]	21,3

REFERENCES

M-130-1_B	Rubber bellow only
M-130-1_R_SH	With socket head bead rings
M-130-1_R_TR	With threaded bead rings

Designs available with stainless steel and high temperature rubber compounds. Additional designs on request.

DYNAMIC CHARACTERISTICS FOR USE AS ISOLATOR

Pressure [bar]	3	4	5	6	7	Vol. [l]
Load [kN]	84,0	112,0	140,0	168,0	196,0	49,0
Spring rate [N/mm]	1421	1826	2231	2636	3041	
Natural frequency [Hz]	2,06	2,02	2,00	1,98	1,97	
Isolation rate at 10 Hz	95,6%	95,8%	95,9%	95,9%	96,0%	

Values at recommended design height H : 150 mm - - - -

STATIC CHARACTERISTICS FOR USE AS ACTUATOR

Pressure [bar]	3	4	5	6	7	Vol. [l]	
Height H [mm]	60	114,4	152,5	190,6	228,7	266,8	18,3
	80	111,7	148,9	186,2	223,4	260,6	26,4
	100	106,8	142,3	177,9	213,5	249,1	33,8
	120	99,4	132,5	165,7	198,8	231,9	40,5
	140	89,9	119,9	149,8	179,8	209,8	46,3
	160	77,9	103,9	129,8	155,8	181,8	51,4
180	64,0	85,3	106,7	128,0	149,3	55,7	

Force values [kN]

All Volume [l] values at 7 bar