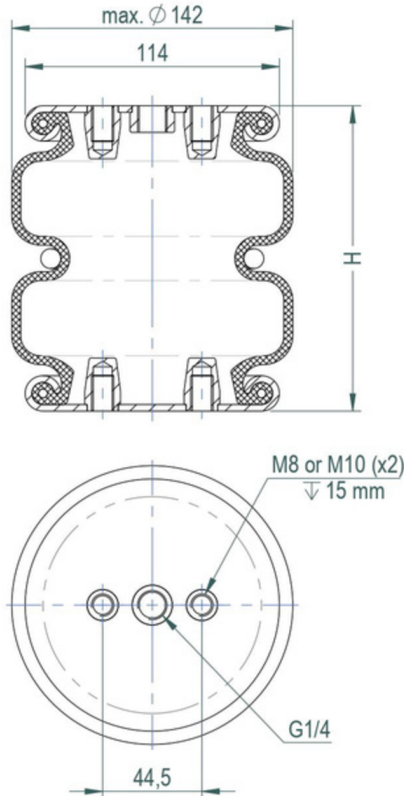


F SERIES
Crimped Design

TV-12

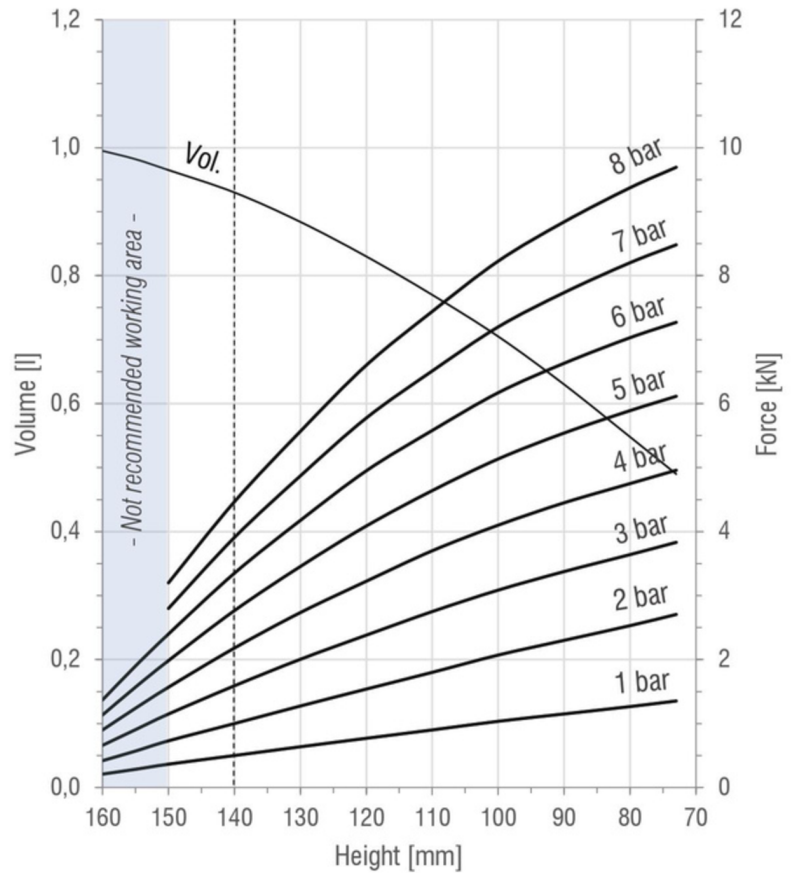
DOUBLE
CONVOLUTION

DRAWING



M8&M10=25 Nm G1/4=25 Nm

FORCE-HEIGHT CHART



TECHNICAL DATA

PRODUCT CHARACTERISTICS

Static diameter [mm]	126
Max. diameter [mm]	142
Required space diameter [mm]	160
Min. height [mm]	73
Static height [mm]	130
Design height [mm]	140
Max. usable height [mm]	150
Max. stroke [mm]	77
Force to compress to H_{min} at 0 bar [N]	260
Weight [kg]	1,48

REFERENCES

M-12_B	Rubber bellow only
M-12_C_G1/4	With crimped plates & G1/4 air inlet
M-12_R_SH	With socket head bead rings
M-12_R_TR	With threaded bead rings

Designs available with stainless steel and high temperature rubber compounds. Additional designs on request.

DYNAMIC CHARACTERISTICS FOR USE AS ISOLATOR

Pressure [bar]	3	4	5	6	7	Vol. [l]
Load [kN]	1,6	2,2	2,8	3,4	3,9	0,9
Spring rate [N/mm]	56	76	95	113	132	
Natural frequency [Hz]	2,97	2,94	2,92	2,91	2,90	
Isolation rate at 10 Hz	90,3%	90,5%	90,7%	90,8%	90,8%	

Values at recommended design height H: 140 mm - - - - -

STATIC CHARACTERISTICS FOR USE AS ACTUATOR

Pressure [bar]	3	4	5	6	7	Vol. [l]	
Height H [mm]	80	3,6	4,8	5,9	7,0	8,2	0,5
	90	3,4	4,5	5,5	6,6	7,7	0,6
	100	3,1	4,1	5,1	6,2	7,2	0,7
	110	2,8	3,7	4,6	5,6	6,5	0,8
	120	2,4	3,2	4,1	5,0	5,8	0,8
	130	2,0	2,7	3,5	4,2	4,9	0,9
	140	1,6	2,2	2,8	3,4	3,9	0,9
150	1,1	1,6	2,0	2,4	2,8	1,0	

Force values [kN]

All Volume [l] values at 7 bar