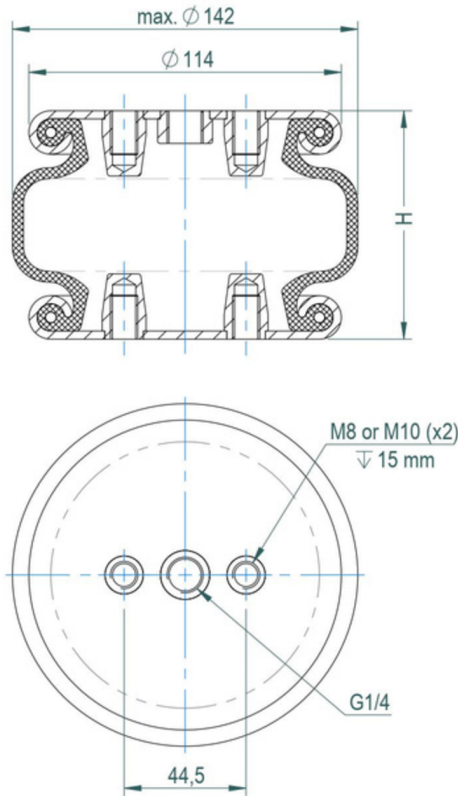


F SERIES
Crimped Design

TV-11

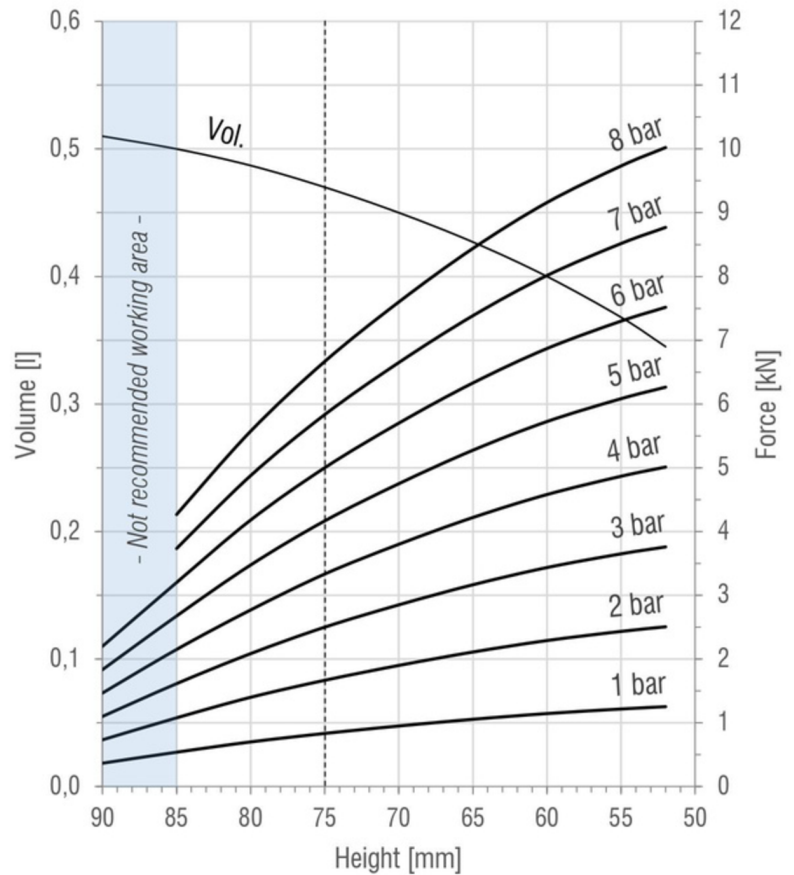
SINGLE
CONVOLUTION

DRAWING



M8&M10=25 Nm G1/4=25 Nm

FORCE-HEIGHT CHART



TECHNICAL DATA

PRODUCT CHARACTERISTICS

Static diameter [mm]	126
Max. diameter [mm]	142
Required space diameter [mm]	155
Min. height [mm]	52
Static height [mm]	85
Design height [mm]	75
Max. usable height [mm]	85
Max. stroke [mm]	33
Force to compress to H_{min} at 0 bar [N]	200
Weight [kg]	1,26

REFERENCES

M-11_B	Rubber bellow only
M-11_C_G1/4	With crimped plates & G1/4 air inlet

Designs available with stainless steel and high temperature rubber compounds. Additional designs on request.

DYNAMIC CHARACTERISTICS FOR USE AS ISOLATOR

Pressure [bar]	3	4	5	6	7	Vol. [l]
Load [kN]	2,5	3,3	4,2	5,0	5,8	0,5
Spring rate [N/mm]	116	152	188	224	260	
Natural frequency [Hz]	3,41	3,38	3,36	3,35	3,34	
Isolation rate at 10 Hz	86,8%	87,1%	87,3%	87,4%	87,5%	

Values at recommended design height H: 75 mm - - - -

STATIC CHARACTERISTICS FOR USE AS ACTUATOR

Pressure [bar]	3	4	5	6	7	Vol. [l]	
Height H [mm]	55	3,7	4,9	6,1	7,3	8,5	0,4
	60	3,4	4,6	5,7	6,9	8,0	0,4
	65	3,2	4,2	5,3	6,3	7,4	0,4
	70	2,9	3,8	4,8	5,7	6,7	0,5
	75	2,5	3,3	4,2	5,0	5,8	0,5
	80	2,1	2,8	3,5	4,2	4,9	0,5
	85	1,6	2,2	2,7	3,2	3,7	0,5

Force values [kN]

All Volume [l] values at 7 bar