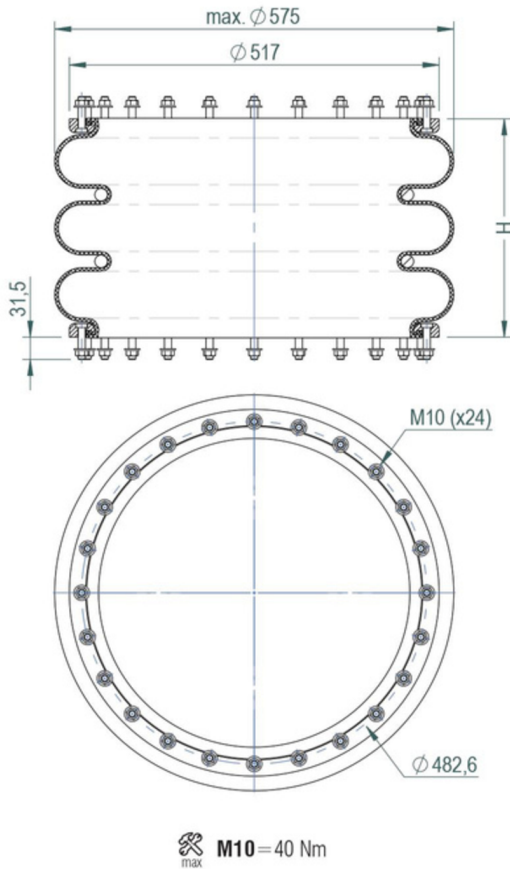


F SERIES
Socket Head Bead Ring Design

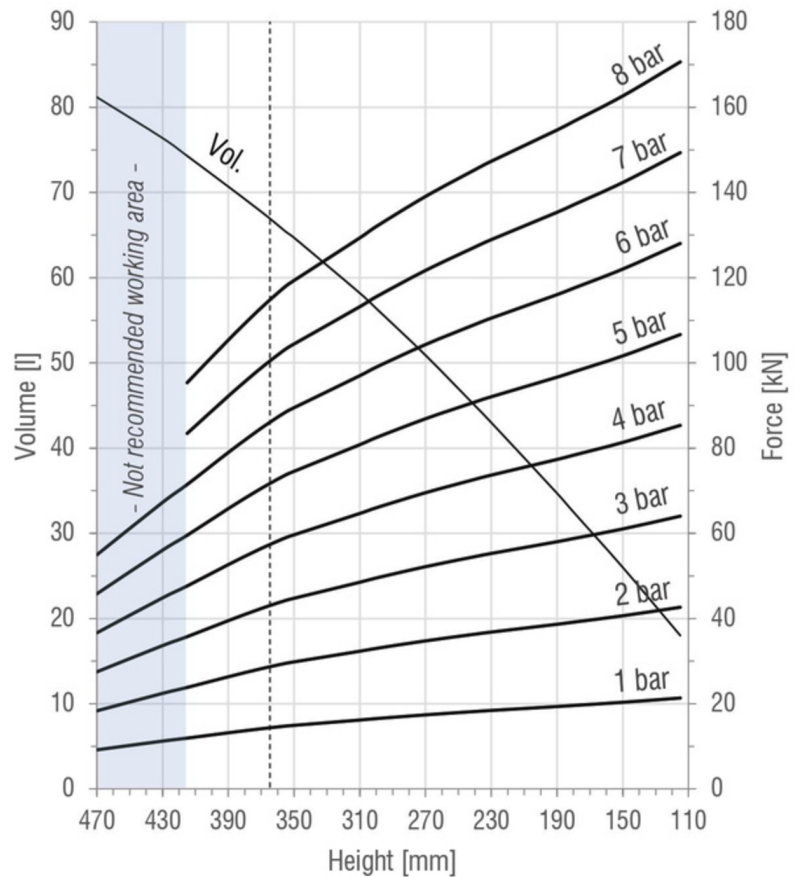
TV-118-3

TRIPLE
CONVOLUTION

DRAWING



FORCE-HEIGHT CHART



TECHNICAL DATA

PRODUCT CHARACTERISTICS

Static diameter [mm]	558
Max. diameter [mm]	575
Required space diameter [mm]	625
Min. height [mm]	115
Static height [mm]	305
Design height [mm]	365
Max. usable height [mm]	415
Max. stroke [mm]	300
Force to compress to H_{min} at 0 bar [N]	500
Weight [kg]	25,8

REFERENCES

M-118-3_B	Rubber bellow only
M-118-3_R_SH	With socket head bead rings
M-118-3_R_TR	With threaded bead rings
M-118-3_R_CS	With countersunk bead rings

Designs available with stainless steel and high temperature rubber compounds. Additional designs on request.

⚠ Special guides are required when used as isolators due to lateral instability.

DYNAMIC CHARACTERISTICS FOR USE AS ISOLATOR

Pressure [bar]	3	4	5	6	7	Vol. [l]
Load [kN]	43,0	57,3	71,7	86,0	100,3	67,0
Spring rate [N/mm]	314	403	493	582	671	
Natural frequency [Hz]	1,35	1,33	1,31	1,30	1,29	
Isolation rate at 10 Hz	98,1%	98,2%	98,3%	98,3%	98,3%	

Values at recommended design height H: 365 mm - - - -

STATIC CHARACTERISTICS FOR USE AS ACTUATOR

Pressure [bar]	3	4	5	6	7	Vol. [l]	
Height H [mm]	150	61,0	81,3	101,7	122,0	142,3	26,0
	190	58,0	77,3	96,7	116,0	135,3	34,7
	230	55,3	73,7	92,1	110,5	128,9	43,0
	270	52,2	69,5	86,9	104,3	121,7	50,9
	310	48,5	64,7	80,8	97,0	113,2	58,2
	350	44,8	59,7	74,6	89,5	104,4	64,7
390	39,5	52,7	65,8	79,0	92,2	70,7	

Force values [kN]

All Volume [l] values at 7 bar