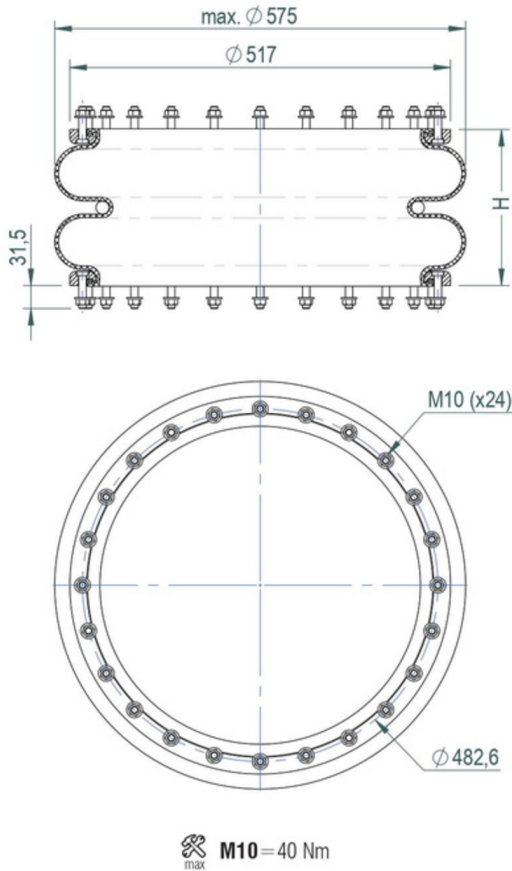


F SERIES
Socket Head Bead Ring Design

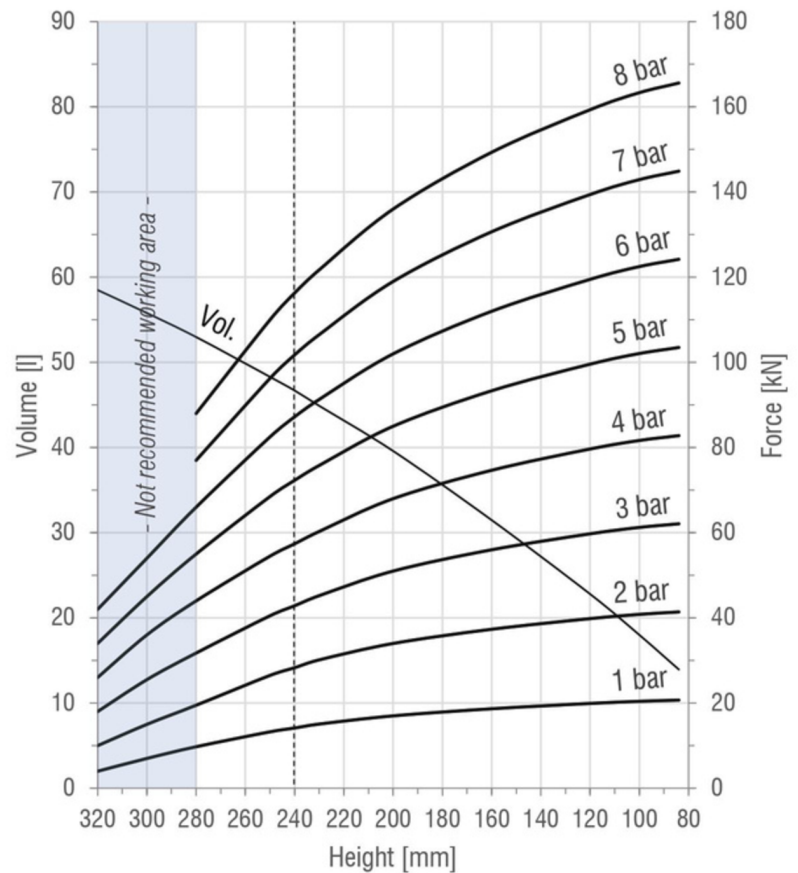
TV-118-2

DOUBLE
CONVOLUTION

DRAWING



FORCE-HEIGHT CHART



TECHNICAL DATA

PRODUCT CHARACTERISTICS

Static diameter [mm]	558
Max. diameter [mm]	575
Required space diameter [mm]	615
Min. height [mm]	84
Static height [mm]	210
Design height [mm]	240
Max. usable height [mm]	280
Max. stroke [mm]	196
Force to compress to H_{min} at 0 bar [N]	250
Weight [kg]	21,5

REFERENCES

M-118-2_B	Rubber bellow only
M-118-2_R_SH	With socket head bead rings
M-118-2_R_TR	With threaded bead rings
M-118-2_R_CS	With countersunk bead rings

Designs available with stainless steel and high temperature rubber compounds. Additional designs on request.

DYNAMIC CHARACTERISTICS FOR USE AS ISOLATOR

Pressure [bar]	3	4	5	6	7	Vol. [l]
Load [kN]	42,9	57,4	72,3	87,2	101,8	46,7
Spring rate [N/mm]	528	656	806	956	1103	
Natural frequency [Hz]	1,75	1,69	1,67	1,66	1,65	
Isolation rate at 10 Hz	96,8%	97,1%	97,1%	97,2%	97,2%	

Values at recommended design height H: 240 mm - - - -

STATIC CHARACTERISTICS FOR USE AS ACTUATOR

Pressure [bar]	3	4	5	6	7	Vol. [l]	
Height H [mm]	100	61,3	81,7	102,1	122,5	142,9	18,0
	120	59,8	79,7	99,6	119,5	139,4	22,8
	160	56,0	74,7	93,3	112,0	130,7	31,5
	200	51,0	68,0	85,0	102,0	119,0	39,6
	240	42,9	57,4	72,3	87,2	101,8	46,7
280	31,8	44,0	55,0	66,0	77,0	53,0	

Force values [kN]

All Volume [l] values at 7 bar