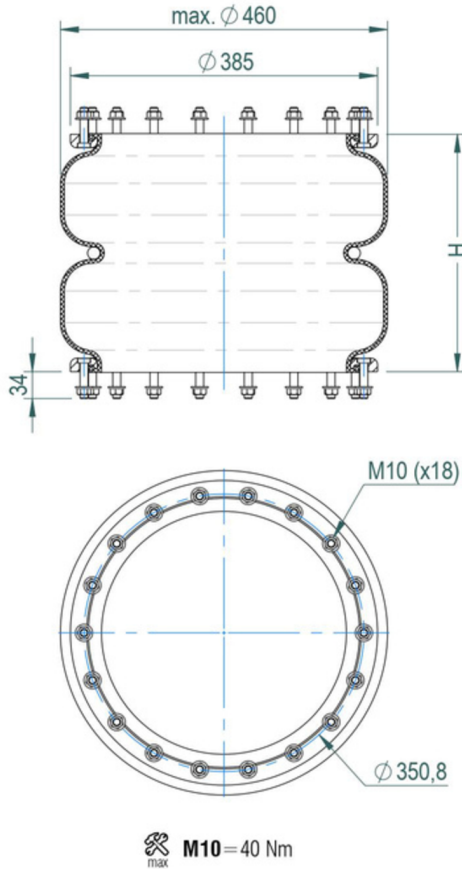


F SERIES
Socket Head Bead Ring Design

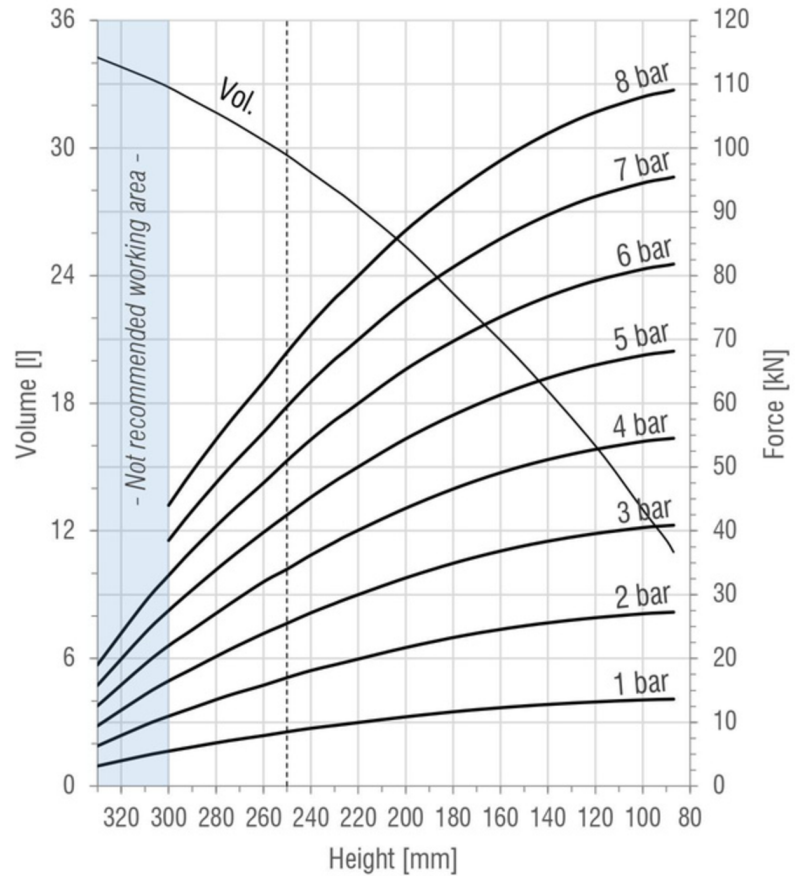
TV-110-E/2

DOUBLE
CONVOLUTION

DRAWING



FORCE-HEIGHT CHART



TECHNICAL DATA

PRODUCT CHARACTERISTICS

Static diameter [mm]	385
Max. diameter [mm]	460
Required space diameter [mm]	500
Min. height [mm]	87
Static height [mm]	300
Design height [mm]	250
Max. usable height [mm]	300
Max. stroke [mm]	213
Force to compress to H_{min} at 0 bar [N]	380
Weight [kg]	13,6

REFERENCES

M-110-E/2_B	Rubber bellow only
M-110-E/2_R_SH	With socket head bead rings
M-110-E/2_R_TR	With threaded bead rings
M-110-E/2_R_CS	With countersunk bead rings

Designs available with stainless steel and high temperature rubber compounds. Additional designs on request.

DYNAMIC CHARACTERISTICS FOR USE AS ISOLATOR

Pressure [bar]	3	4	5	6	7	Vol. [l]
Load [kN]	25,5	34,0	42,5	51,0	59,5	29,7
Spring rate [N/mm]	283	361	455	550	637	
Natural frequency [Hz]	1,67	1,63	1,64	1,64	1,64	
Isolation rate at 10 Hz	97,1%	97,3%	97,2%	97,2%	97,3%	

Values at recommended design height H: 250 mm - - - -

STATIC CHARACTERISTICS FOR USE AS ACTUATOR

Pressure [bar]	3	4	5	6	7	Vol. [l]	
Height H [mm]	100	40,5	54,0	67,5	81,0	94,5	13,0
	125	39,3	52,4	65,5	78,7	91,8	16,0
	175	35,4	47,2	59,0	70,7	82,5	22,6
	200	32,6	43,5	54,4	65,3	76,2	25,4
	225	29,3	39,2	48,9	58,6	68,4	27,7
	250	25,5	34,0	42,5	51,0	59,5	29,7
275	21,3	28,3	35,4	42,5	49,6	31,4	

Force values [kN]

All Volume [l] values at 7 bar