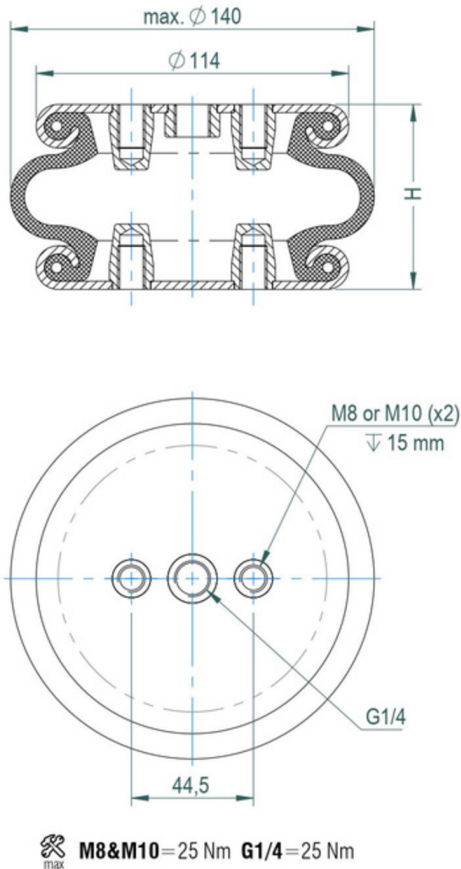


F SERIES
Crimped Design

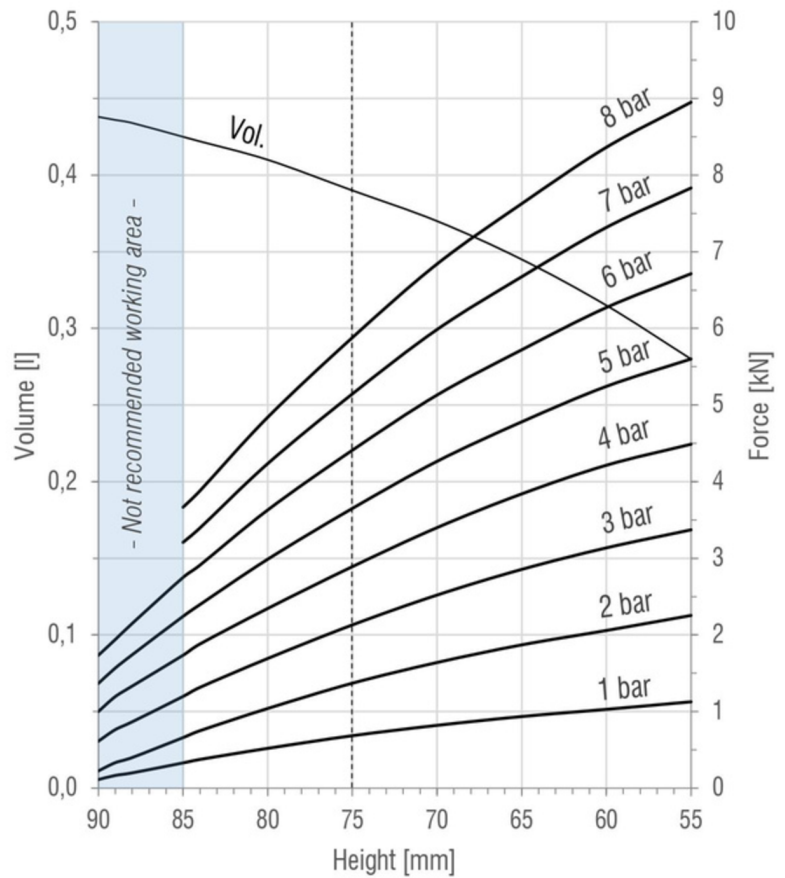
TV-10

SINGLE
CONVOLUTION

DRAWING



FORCE-HEIGHT CHART



TECHNICAL DATA

PRODUCT CHARACTERISTICS

Static diameter [mm]	133
Max. diameter [mm]	140
Required space diameter [mm]	155
Min. height [mm]	55
Static height [mm]	71
Design height [mm]	75
Max. usable height [mm]	85
Max. stroke [mm]	30
Force to compress to H_{min} at 0 bar [N]	245
Weight [kg]	1,3

REFERENCES

M-10_B	Rubber bellow only
M-10_C_G1/4	With crimped plates & G1/4 air inlet

Designs available with stainless steel and high temperature rubber compounds. Additional designs on request.

DYNAMIC CHARACTERISTICS FOR USE AS ISOLATOR

Pressure [bar]	3	4	5	6	7	Vol. [l]
Load [kN]	2,1	2,9	3,7	4,4	5,1	0,4
Spring rate [N/mm]	127	162	195	228	264	
Natural frequency [Hz]	3,86	3,74	3,65	3,60	3,58	
Isolation rate at 10 Hz	82,5%	83,7%	84,6%	85,2%	85,3%	

Values at recommended design height H: 75 mm - - - -

STATIC CHARACTERISTICS FOR USE AS ACTUATOR

Pressure [bar]	3	4	5	6	7	Vol. [l]	
Height H [mm]	55	3,4	4,5	5,6	6,7	7,8	0,3
	60	3,1	4,2	5,2	6,3	7,3	0,3
	65	2,9	3,8	4,8	5,7	6,7	0,3
	70	2,5	3,4	4,3	5,1	6,0	0,4
	75	2,1	2,9	3,7	4,4	5,1	0,4
	80	1,7	2,3	3,0	3,6	4,2	0,4
85	1,2	1,7	2,2	2,8	3,2	0,4	

Force values [kN]

All Volume [l] values at 7 bar