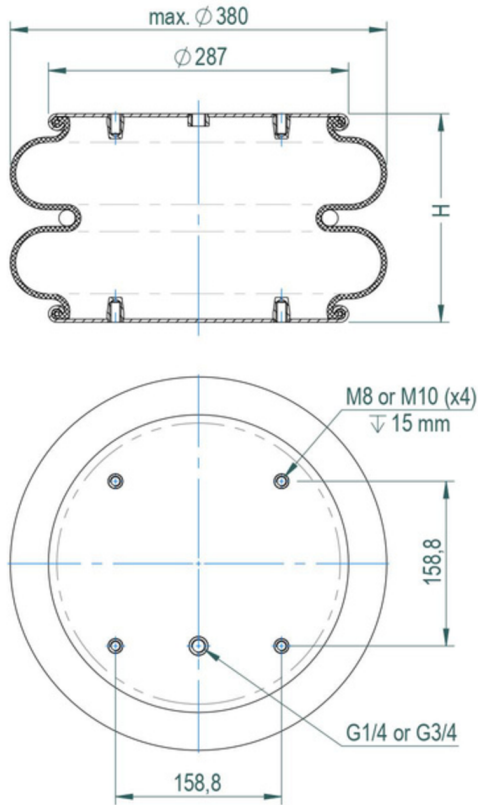


F SERIES  
Crimped Design

## TV-100

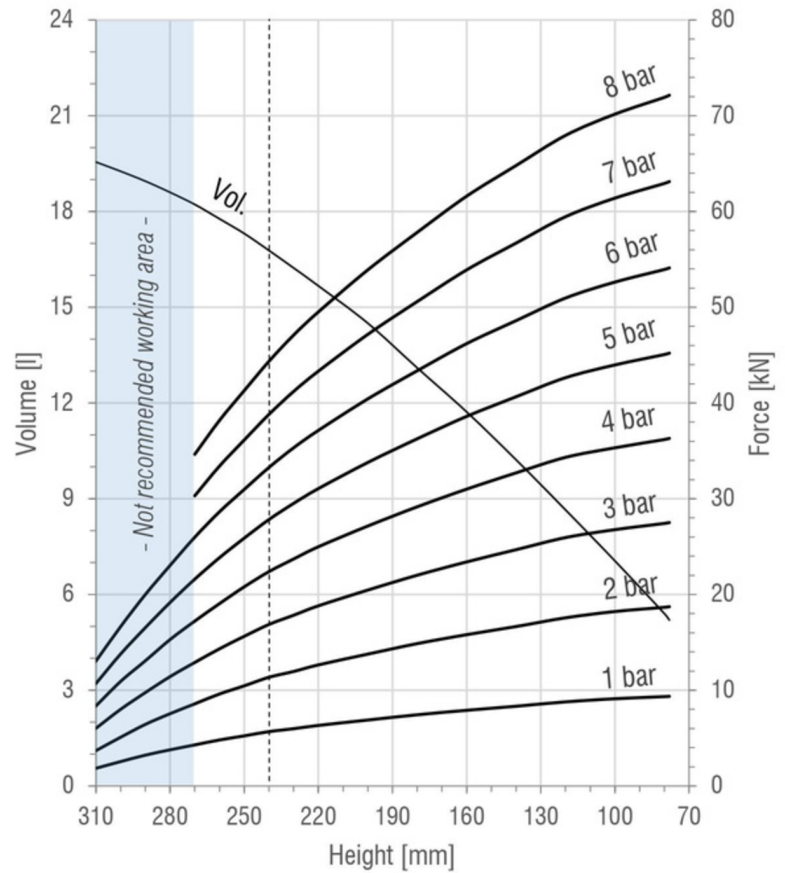
DOUBLE  
CONVOLUTION

### DRAWING



**M8&M10**=25 Nm **G1/4**=25 Nm **G3/4**=50 Nm

### FORCE-HEIGHT CHART



### TECHNICAL DATA

#### PRODUCT CHARACTERISTICS

Static diameter [mm]	368
Max. diameter [mm]	380
Required space diameter [mm]	395
Min. height [mm]	78
Static height [mm]	180
Design height [mm]	240
Max. usable height [mm]	270
Max. stroke [mm]	192
Force to compress to $H_{min}$ at 0 bar [N]	200
Weight [kg]	8,1

#### REFERENCES

<b>M-100_B</b>	Rubber bellow only
<b>M-100_C_G1/4</b>	With crimped plates & G1/4 air inlet
<b>M-100_C_G3/4</b>	With crimped plates & G3/4 air inlet
<b>M-100_R_SH</b>	With socket head bead rings
<b>M-100_R_TR</b>	With threaded bead rings
<b>M-100_R_CS</b>	With countersunk bead rings

Designs available with stainless steel and high temperature rubber compounds. Additional designs on request.

#### DYNAMIC CHARACTERISTICS FOR USE AS ISOLATOR

Pressure [bar]	3	4	5	6	7	Vol. [l]
Load [kN]	16,9	22,4	27,8	33,3	38,8	16,8
Spring rate [N/mm]	159	200	241	282	325	
Natural frequency [Hz]	1,53	1,49	1,47	1,46	1,45	
Isolation rate at 10 Hz	97,6%	97,7%	97,8%	97,8%	97,9%	

Values at recommended design height H: 240 mm -----

#### STATIC CHARACTERISTICS FOR USE AS ACTUATOR

Pressure [bar]	3	4	5	6	7	Vol. [l]	
Height H [mm]	80	27,4	36,2	45,1	53,9	62,9	5,4
	100	26,8	35,3	44,0	52,6	61,4	7,1
	120	25,9	34,3	42,6	51,0	59,5	8,7
	140	24,7	32,7	40,7	48,6	56,7	10,2
	160	23,4	31,0	38,6	46,2	53,9	11,7
	180	22,0	29,2	36,3	43,4	50,6	13,1
	200	20,5	27,1	33,8	40,4	47,2	14,5
	220	18,8	25,0	31,1	37,1	43,3	15,7
260	14,3	19,0	23,8	28,6	33,4	17,8	

Force values [kN]

All Volume [l] values at 7 bar